



Village
of
Woodridge

Community Development Department • Five Plaza Drive • Woodridge, IL 60517-5014
(630) 719-4750 • FAX (630) 719-2900

Deck/Handrail/Guard/Stair Installation Guide

A permit application, along with 2 copies of the Plat of Survey (engineer stamped 11"x17") and 2 copies of the deck drawings must be provided with the deck drawn to scale with dimensions on each of the plats of survey. Provide distances to lot lines.

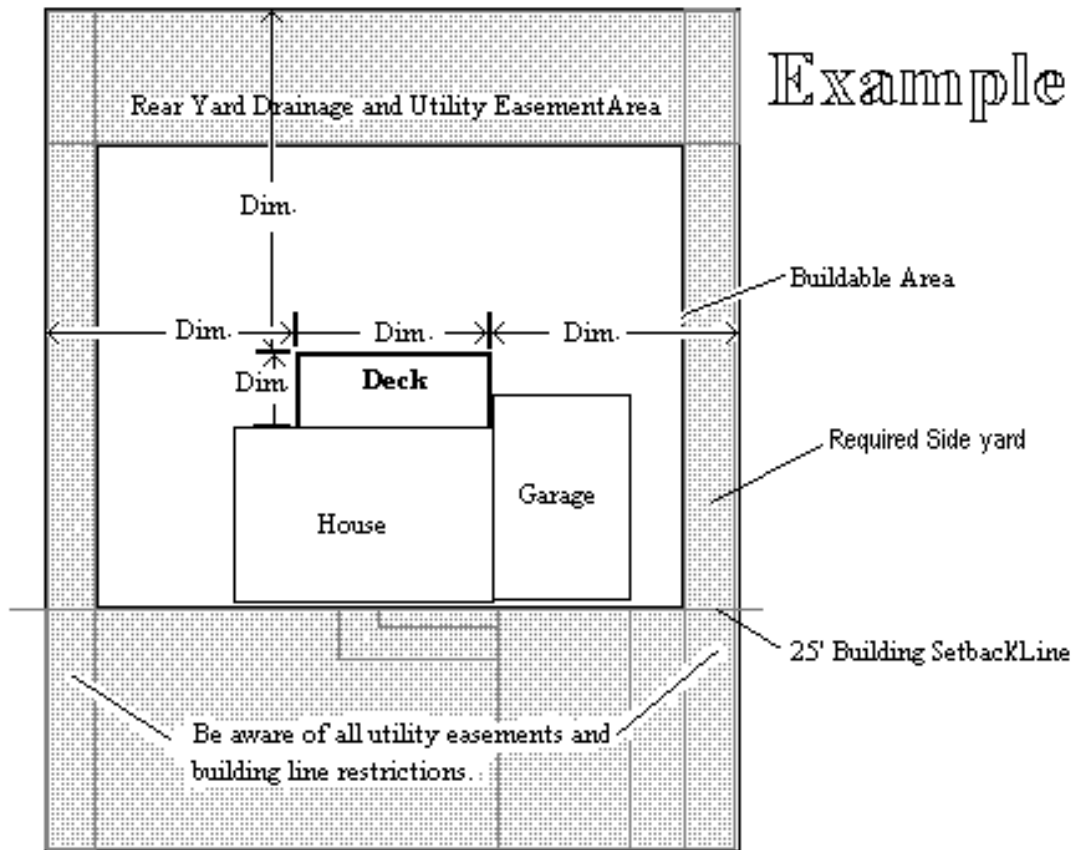
The following drawings and graphs represent information that must be provided to the Village of Woodridge Community Development Department when applying for a permit to install a deck.

A Certified Engineer or Licensed Architect must design decks that are supporting spas, hot tubs, and / or covered accessory structures such as gazebos and three-season rooms.

Inspection #1 = Post holes & Ledger Board attachment

Inspection #2 = Final Inspection

Plat of Survey



Provide (2) Two copies of PLAT OF SURVEY identifying the location of the new deck, patio etc...

Provide overall dimensions of deck with distances to side and rear lot lines.

Decks may be built in the rear yard and buildable area only. May not be built in any easement.

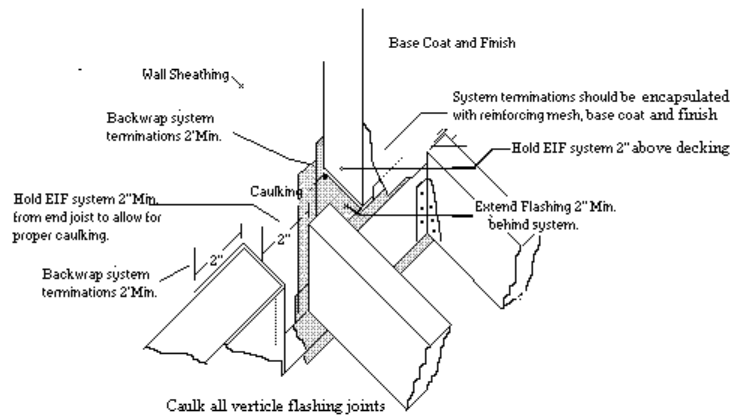
The following information must be provided on the deck drawing.

- Joist Size and spacing (i.e. 2 x 8 @ 16" o.c.)
- Beam size, span between supporting members.
- Posts and spacing, Size and Span between posts.
- Railing type and height
- Piers to be 42" deep 8" diameter or provide load calculations

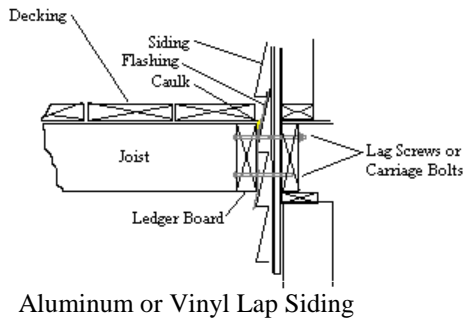
- Information on joist hangars and brackets
- Height of deck off the finished grade.
- Step rise and run (Riser and tread size)
- Baluster size and spacing

Check your setbacks by looking at Woodridge's website under building code information Title 9 Zoning for R-1, R-2, or R-3 zoning

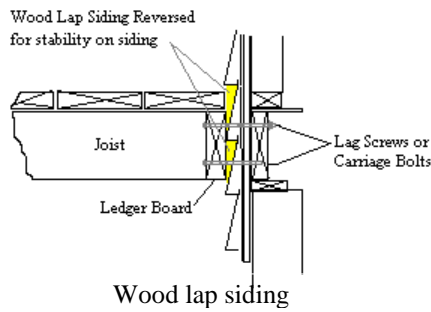
Ledger Board Installations



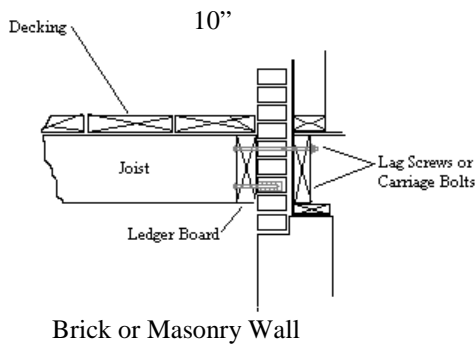
Dryvit - EIF wall system



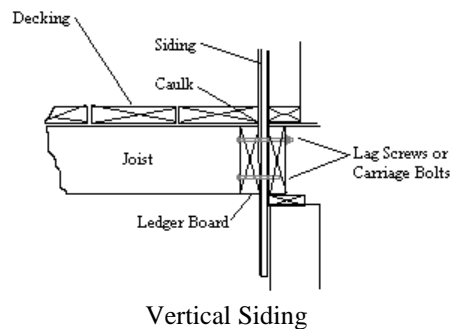
Aluminum or Vinyl Lap Siding



Wood lap siding



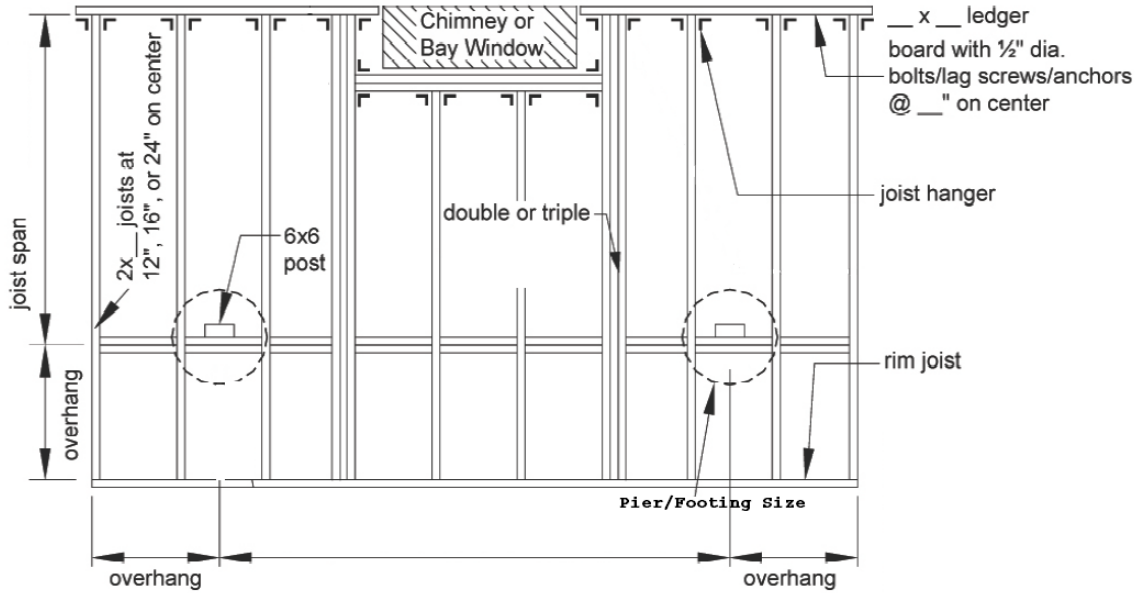
Brick or Masonry Wall



Vertical Siding

- *All structural members to be treated Lumber
- *Mounting ledger board shall have (2) two lag screws or carriage bolts every 32" o.c. placed high and low or (1) lag screw or carriage bolt alternating high and low every 16" o.c.
- *All hardware associated with the deck assembly and attachment to be galvanized material or approved comparable product.
- *Flashing per IRC 703.8.5

Deck Installation Guide

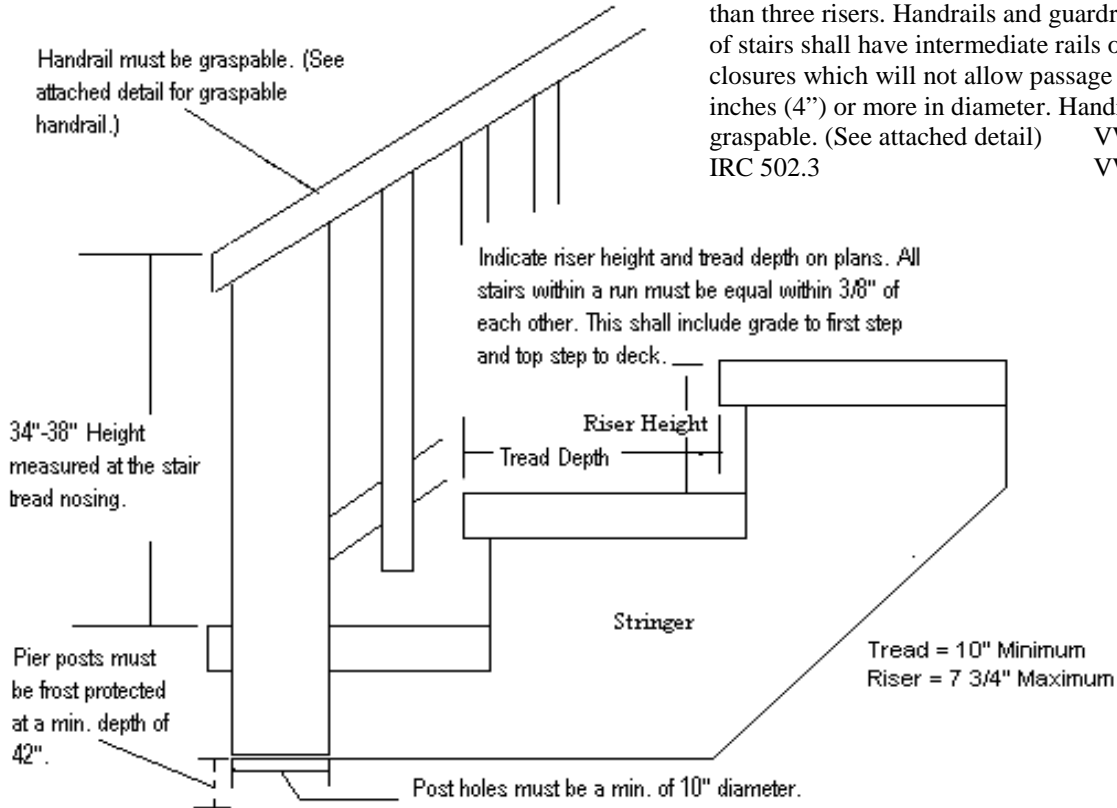


Open risers are permitted provided that the opening between treads does not permit the passage of a 4" diameter sphere.

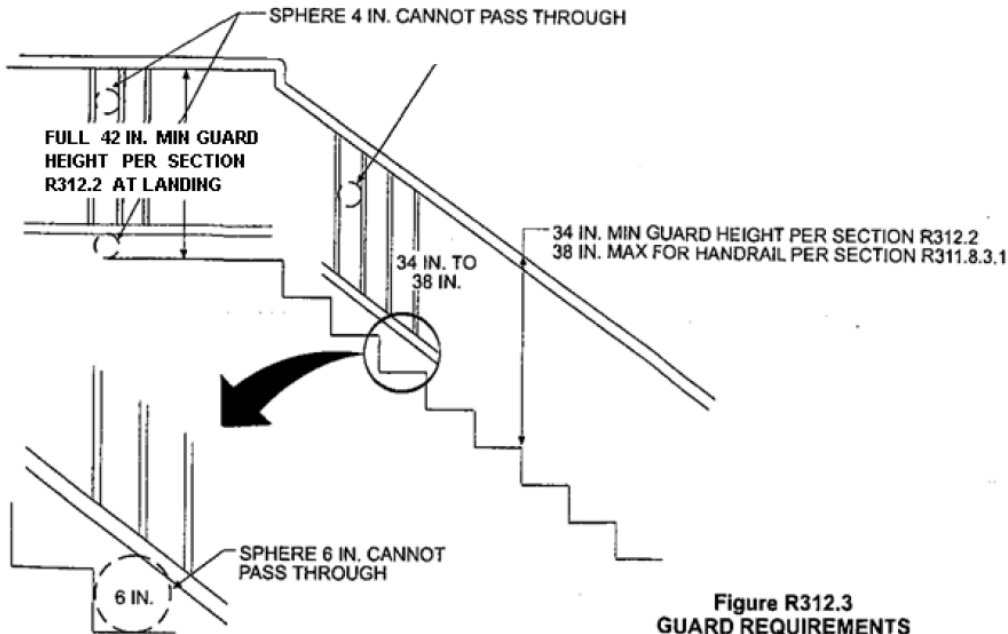
Porches, balconies or raised floor surfaces located more than 24" above the floor or grade below shall have guardrails not less than 36" in height.

Porches, balconies or raised floor surfaces located more than 84" above the floor or grade below shall have guardrails not less than 42" in height.

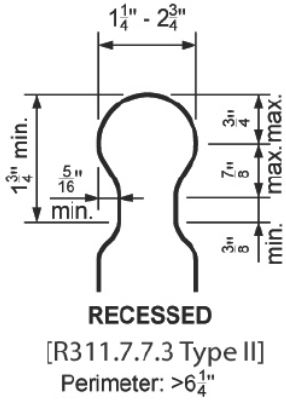
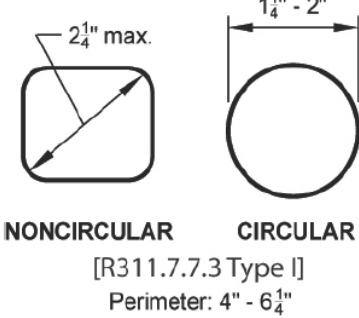
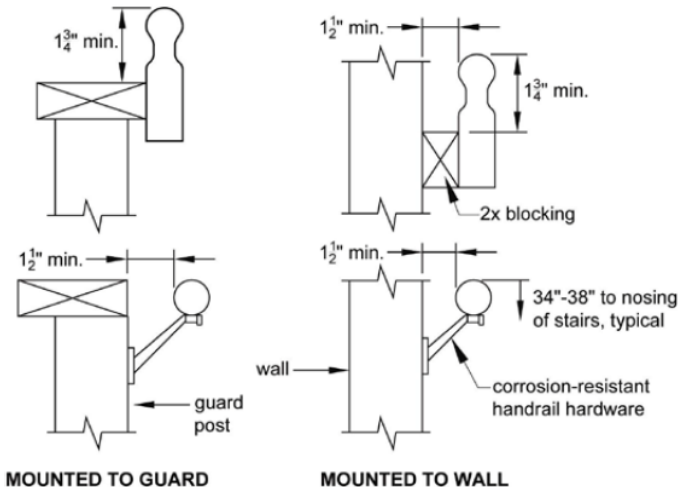
Provide a 34"-38" handrail for all stairways with more than three risers. Handrails and guardrails on open sides of stairs shall have intermediate rails or ornamental closures which will not allow passage of an object four inches (4") or more in diameter. Handrail must be graspable. (See attached detail) VWC R312.1.2.1 IRC 502.3 VWC R403.2

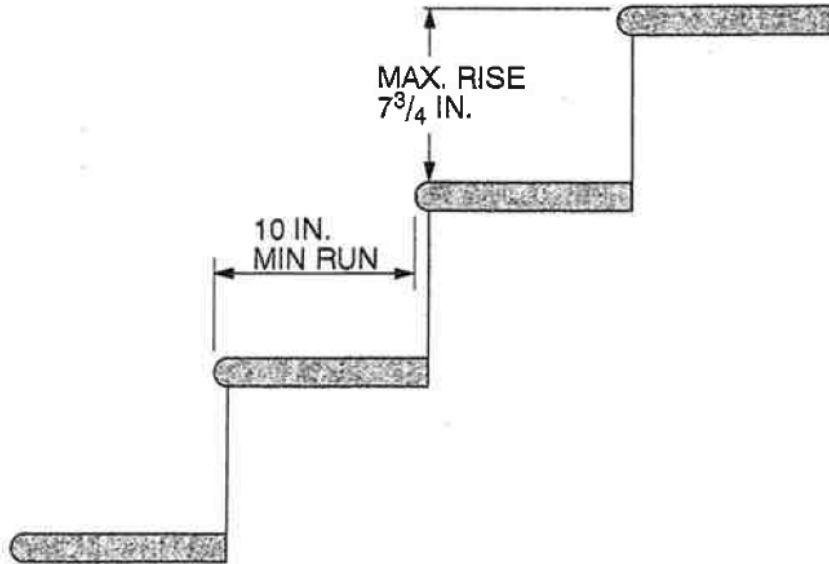


**Figure R311.7.7.3(1)
TYPE 1 HANDRAIL**



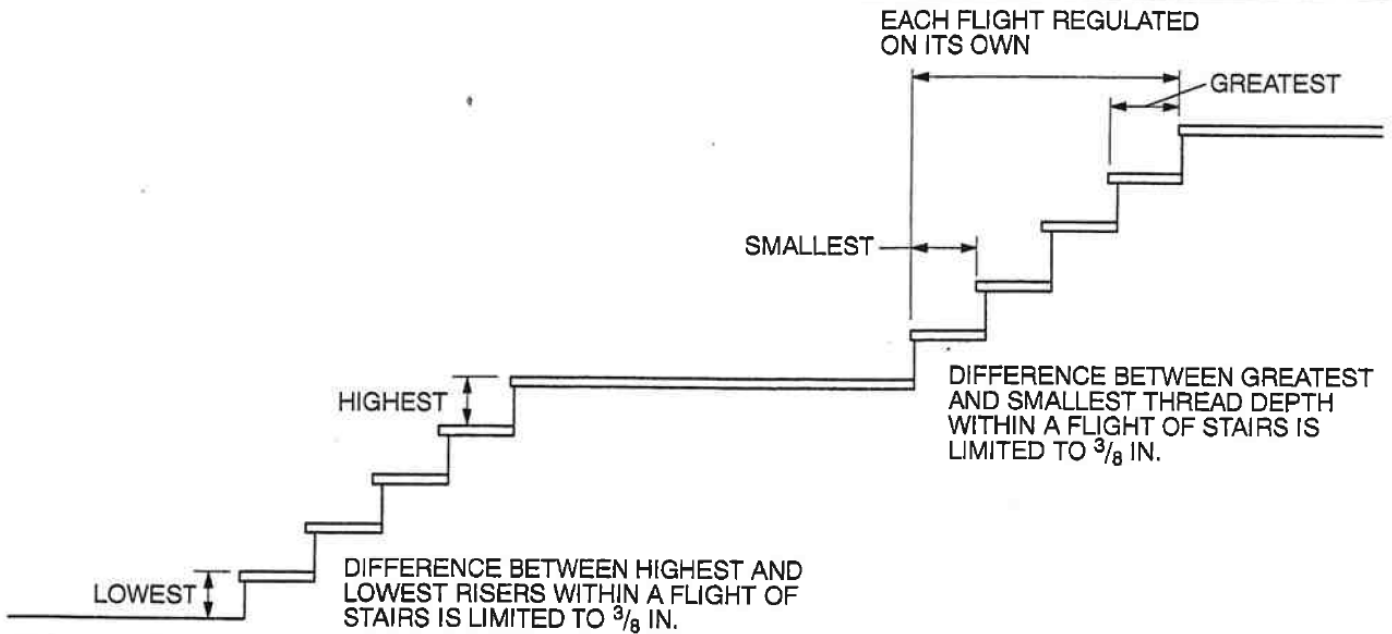
**Figure R312.3
GUARD REQUIREMENTS**





For SI: 1 inch = 25.4 mm.

**Figure R311.5.3.1(1)
CONVENTIONAL STAIRWAY**



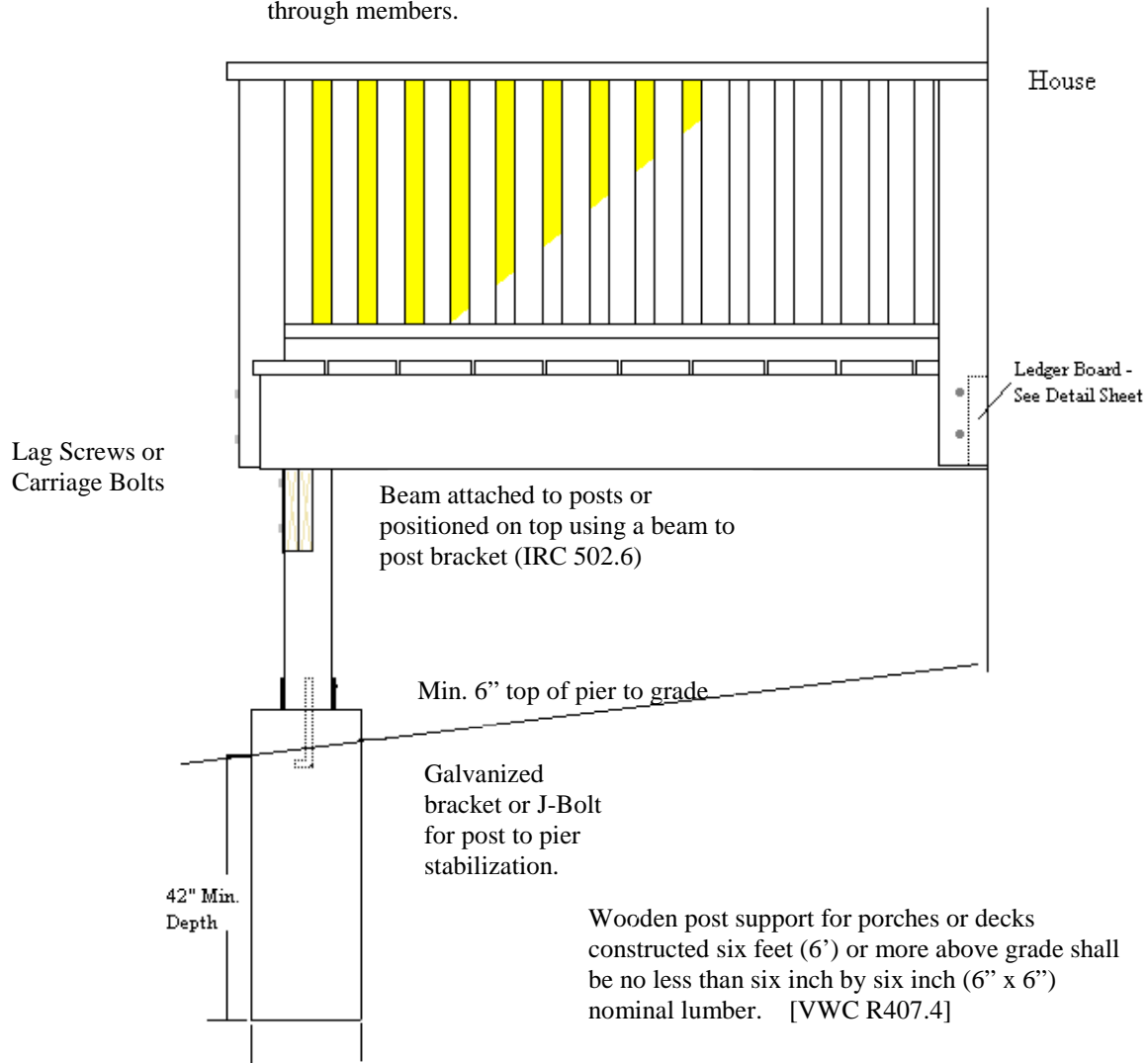
For SI: 1 inch = 25.4 mm.

**Figure R311.5.3.1(2)
STAIR TOLERANCES**

Railing Height 36" Min. above decking (42" if deck is more than 84" above floor or grade).

Deck Installation Guide

Balusters: Spacing shall be that a 4" sphere shall not pass through members.



**Always call J.U.L.I.E. before Digging!! Toll Free - 24 Hrs. a day - 7 Days a week
Call 48 Hrs. before digging 1-800-892-0123**

Lumber Size	Maximum Joist Spans For 40 # Live Load		
	12" o.c.	16" o.c.	24" o.c.
SPF #2	12'-3"	15'-5"	12'-7"
2 x 10	13'-6"	12'-3"	10'-3"
2 x 8	10'-3"	9'-4"	8'-1"

Joist & Post Spacing

Unsupported Length of Joists										
		6'	7'	8'	9'	10'	11'	12'	13'	14'
P	4'	1 2 x 6	1 2 x 6	1 2 x 6	1 2 x 8	1 2 x 8	1 2 x 8	1 2 x 8	1 2 x 10	1 2 x 10
			1 2 x 8	1 2 x 8	1 2 x 10	1 2 x 10	1 2 x 10	1 2 x 10	1 2 x 12	1 2 x 12
O	5'	1 2 x 6	2 2 x 6	2 2 x 6	1 2 x 8	1 2 x 8	1 2 x 8	1 2 x 8	1 2 x 10	1 2 x 10
			1 2 x 8	1 2 x 8	1 2 x 10	1 2 x 10	1 2 x 10	1 2 x 10	1 2 x 12	1 2 x 12
S	6'	2 2 x 6	2 2 x 6	2 2 x 6	2 2 x 8	2 2 x 8	2 2 x 8	2 2 x 8	2 2 x 10	2 2 x 10
			1 2 x 8	2 2 x 8	1 2 x 10	1 2 x 10	1 2 x 10	1 2 x 10	1 2 x 12	1 2 x 12
T	7'	2 2 x 6	3 2 x 6	3 2 x 6	2 2 x 8	2 2 x 8	2 2 x 8	3 2 x 8	2 2 x 10	2 2 x 10
			2 2 x 8	2 2 x 8	2 2 x 10	2 2 x 10	2 2 x 10	2 2 x 10	1 2 x 12	2 2 x 12
S	8'	3 2 x 6	3 2 x 6	3 2 x 6	3 2 x 8	3 2 x 8	3 2 x 8	3 2 x 8	2 2 x 10	2 2 x 10
		2 2 x 8	2 2 x 8	2 2 x 8	2 2 x 10	2 2 x 10	2 2 x 10	2 2 x 10	2 2 x 12	2 2 x 12
P	9'	3 2 x 6	4 2 x 6	4 2 x 6	3 2 x 8	3 2 x 8	3 2 x 8	4 2 x 8	2 2 x 12	2 2 x 12
		2 2 x 8	3 2 x 8	3 2 x 8	2 2 x 10	2 2 x 10	2 2 x 10	3 2 x 10	2 2 x 12	2 2 x 12
A	10'	4 2 x 6	3 2 x 8	3 2 x 8	3 2 x 8	4 2 x 8	4 2 x 8	4 2 x 8	3 2 x 10	3 2 x 10
		3 2 x 8	2 2 x 10	2 2 x 10	3 2 x 10	2 2 x 10	2 2 x 10	2 2 x 10	2 2 x 12	3 2 x 12
C	11'	3 2 x 8	3 2 x 8	4 2 x 8	4 2 x 8	3 2 x 10	3 2 x 10	3 2 x 10	4 2 x 10	4 2 x 10
		2 2 x 10	2 2 x 10	3 2 x 10	3 2 x 10	2 2 x 12	3 2 x 12	3 2 x 12	3 2 x 12	3 2 x 12
I	12'	3 2 x 8	4 2 x 8	4 2 x 8	3 2 x 10	3 2 x 10	4 2 x 10	4 2 x 10	4 2 x 10	4 2 x 10
		2 2 x 10	3 2 x 10	3 2 x 10	2 2 x 12	3 2 x 12	3 2 x 12	3 2 x 12	3 2 x 12	3 2 x 12
N		3 2 x 8	2 2 x 10	2 2 x 10	3 2 x 10	2 2 x 10	2 2 x 10	2 2 x 10	2 2 x 12	3 2 x 12
		2 2 x 10	3 2 x 10	3 2 x 10	2 2 x 12	3 2 x 12	3 2 x 12	3 2 x 12	3 2 x 12	3 2 x 12
G		3 2 x 8	4 2 x 8	4 2 x 8	3 2 x 10	3 2 x 10	4 2 x 10	4 2 x 10	4 2 x 10	4 2 x 10
		2 2 x 10	3 2 x 10	3 2 x 10	2 2 x 12	3 2 x 12	3 2 x 12	3 2 x 12	3 2 x 12	3 2 x 12

This Span Chart Is Based On SPF #2 Lumber

Using the Table Above -

Example: If your posts are 8' apart, and the unsupported length of joists are 10', the beam can be constructed from either (3) 2 x 8's or (2) 2 x 10's.

