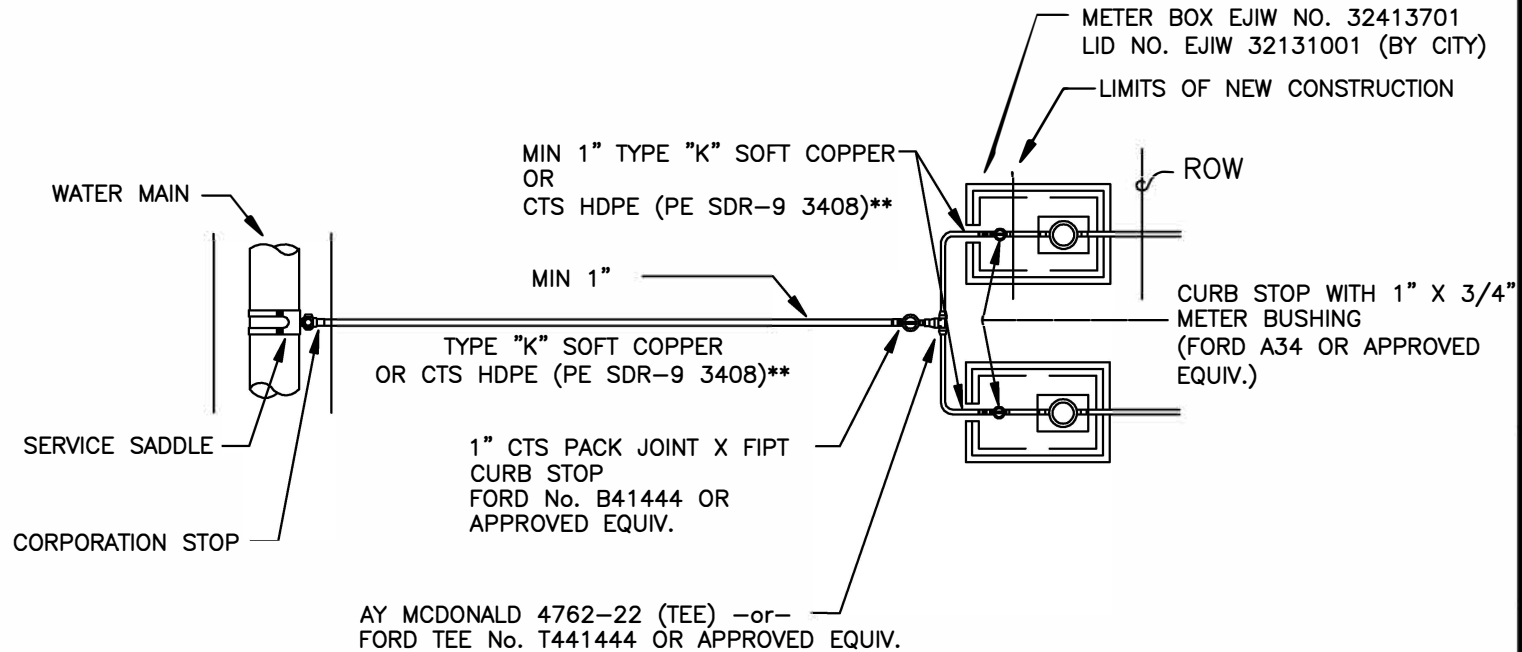


RESIDENTIAL WATER SERVICE

DOUBLE SERVICE***



DOUBLE SERVICE CONNECTION FITTINGS *

	SERVICE SADDLE	CORPORATION STOP	CURB STOP
FORD	FC-202	F1000-4	B43444W
MUELLER	DR2S	P15008	P24350
SMITH BLAIR (DOMESTIC ONLY)	317	--	--
MCDONALD	--	4701-22	6100M-22

* OR APPROVED EQUIVALENT MANUFACTURER

*** DOUBLE SERVICE SHALL SUPPORT A MAXIMUM OF TWO METERS

** HDPE SERVICES SHALL BE GRADE "A" VIRGIN MATERIAL, SLEEVED IN SCH 40 PVC, AND BEDDED IN SAND 3" ABOVE AND 3" BELOW PIPE

SHEET 1 OF 1

CITY OF TEMPLE
ENGINEERING DEPARTMENT

TEMPLE, TX 76704-0402

SCALE
N.T.S.

1010 E. AVENUE 14, Bldg. A

DOUBLE RESIDENTIAL
WATER SERVICE DETAIL



DATE APPROVED DATE
FILE NAME: DOUBLE SERVICE.dwg

APPROVED BY: Michael Newman, P.E.
DRAWN BY: Chris Paul