

# Refuse Enclosure Construction Standards

## Refuse Enclosure Requirement

All commercial facilities not serviced by a stationary compactor or roll-off container will be designed to accommodate the front-end loader collection system. The following standards must be met to safely accommodate equipment used by the city.

## Typical Collection Vehicle

Weight fully loaded: 62,000 pounds  
 Axle configuration: Single front, Duals in rear  
 Wheelbase length (front to back axle): 19'-0"  
 Length: 27'-0"  
 Width: 9'-3" Arm 4'-9"  
 Wheelbase width: 8'-0"  
 Turning radius: 46'

## Typical Solid Waste Receptacle

Width: 7'-0"  
 Depth: 7'-0"  
 Height: 7'-0" Min  
 Weight fully loaded: 4,000 pounds

## Current Regulation

Refuse container locations within 50 feet of the curb line and/or visible from the public street shall be visually screened from public view on 3 sides by a wooden fence or suitable alternate. Such fence must be at least one foot higher than the refuse container on all sides except the side used for servicing the container. The enclosure shall have a clear, unobstructed opening of at least 12 feet. Maintenance of the refuse area including pad, fencing and gates, if any, shall be the responsibility of the property owner.

## Location on Property

The container location must allow for a minimum 65-foot clearance to enable the collection vehicle to make a straight-on approach, dump the container, back away and exit the property. Containers shall not be located within 15' below low-hanging utility wires, tree limbs or other overhead obstacles.

## Cardboard Recycling

The city offers 2 to 8 cubic yard frontload container at one-half the rate for solid waste collection. Businesses are encouraged to use this service.

## Construction Requirements

**Pad** - The pad will be 12' X 12' (one container) and be of concrete construction. Interior dimension can be 12' x 10'.

**Apron** - A concrete apron shall be constructed in front of the pad. This apron will support the front wheels of the collection vehicle which support the weight of the vehicle and the container that is being dumped.

**Gates** - The installation of gates on the enclosures is optional, however; if gates are installed they must comply with the following:

- Gate system will consist of two (2) six-foot gates that can be secured in the closed and opened (95 degrees) position.
- Gates must be secured by either a drop-rod system or other gate latch/catch system specifically designed for securing commercial grade gates.

**Bollards (outside of enclosure)** - Though not required, bollards installed for the protection of enclosures must be 6" O.D. steel pipe and filled with 3000 PSI concrete. Bollards will be painted or sleeved in OSHA yellow and have two red reflective stripes. Bollards shall be no less than 36" in height and no more than 60" in height. Bollards shall be no greater than 6" from the outside of enclosure. Bollards shall not interfere with the proper operation of the gates and must allow gates to open a minimum of 95°.

**Bollards (inside of enclosure)** - Must not reduce the enclosure depth to less than 10' and must not be located where they would obstruct any part of the 12' wide opening. Storage containers and/or other containers (such as used oil) stored inside the enclosure shall not impede the collection of the dumpster nor obstruct the internal dimensions of 12' x 10'.

**Multiple containers** - If more than one container is to occupy the same enclosure, the containers shall be located side-by-side and the enclosure is to be sized accordingly.

## Interstate 35 Corridor Overlay Zoning District

Article 6: Special Purpose and Overlay Zoning Districts  
 6.7.7.D.6

6. Except as provided below, the following site elements must not be clearly visible at eye level from any public street right-of-way or any adjoining residential use or located within 100 feet of any public street right-of-way, unless adequately screened according to the standards below.

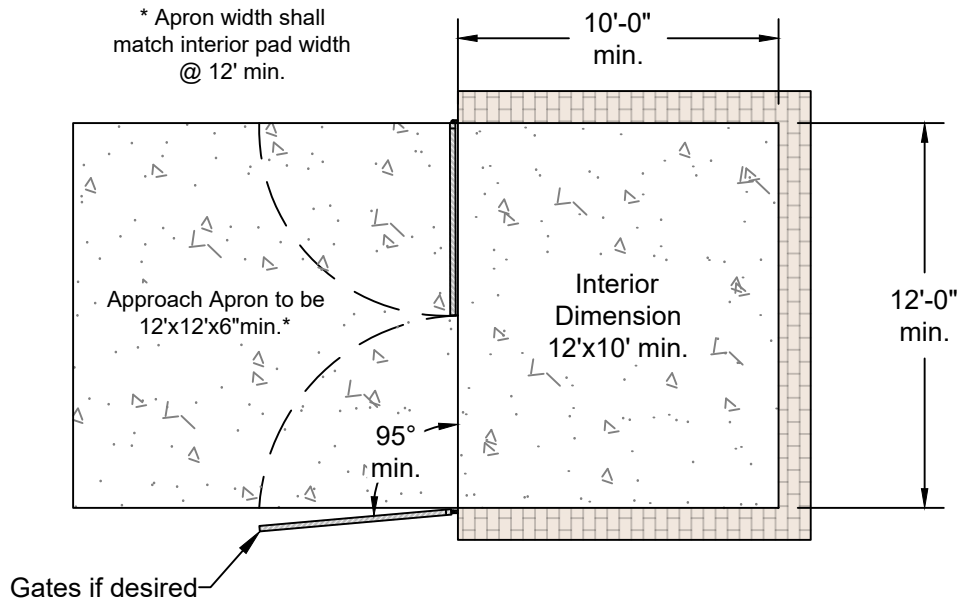
a. Vehicle Loading and Unloading Zones and Service Areas  
 Screening for vehicle loading and unloading zones must consist of a continuous solid masonry wall to match the color and style of the building, earthen berms or evergreen opaque landscaping a minimum of six feet in height. Landscape screening must be solid and reach a minimum height of six feet within two years of the issue date of the Certificate of Occupancy for the building or change of use.

b. Refuse Storage and Compactors  
 Refuse storage and compactors must be enclosed on three sides by a solid masonry wall to match the color and style of the building and be a minimum of one foot taller than the equipment being screened. The enclosure must have a minimum eight-foot self-closing gate. The enclosure must be designed to contain all refuse generated on-site between solid waste collections. The refuse storage and compactors may not be located in required setbacks.

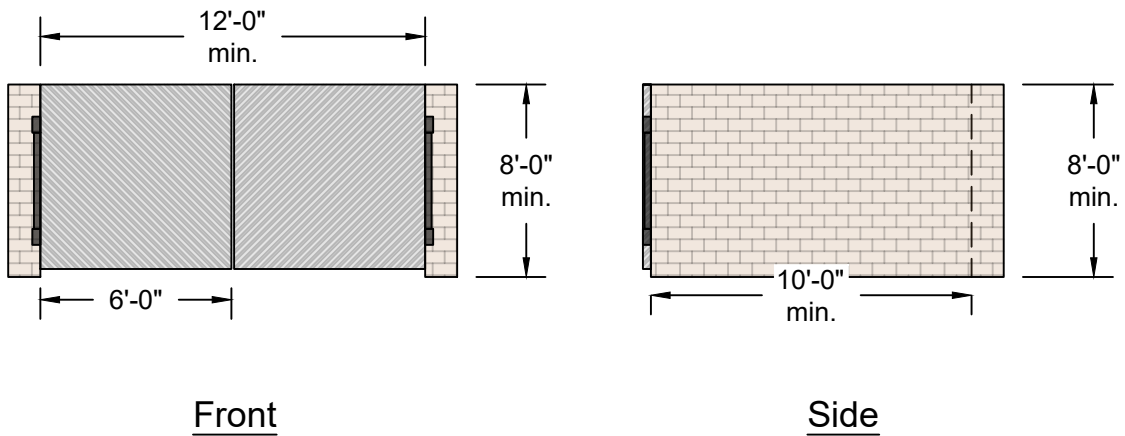
Rev.	Date	Comments	Initials

APPROVED BY: RW	APPROVED DATE: 9/14/2020
DRAWN BY: JS	FILE NAME: Refuse Details.dwg





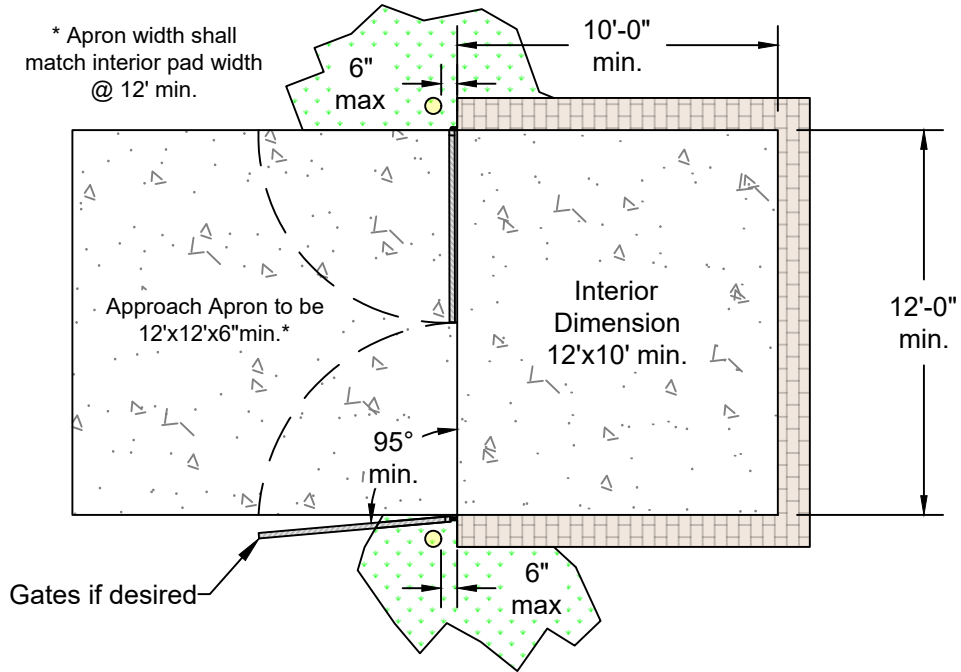
Typical Refuse Enclosure without Bollards



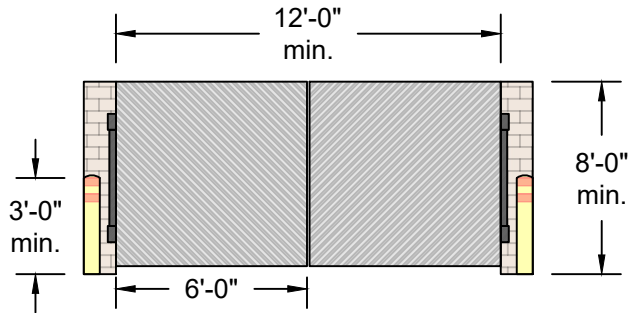
Rev.	Date	Comments	Initials

APPROVED BY: RW	APPROVED DATE: 9/14/2020
DRAWN BY: JS	FILE NAME: Refuse Details.dwg



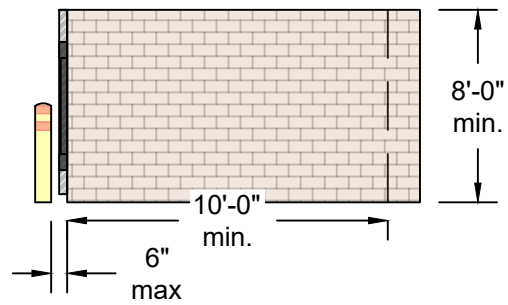
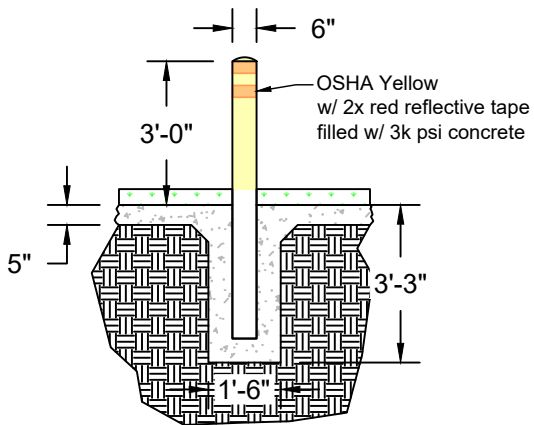


Typical Refuse Enclosure with Exterior Bollards



Front

Typical Exterior Bollard Dimensions



Side

Rev.	Date	Comments	Initials



CITY OF TEMPLE  
SOLID WASTE SERVICES

3219 Bullseye Lane

TEMPLE, TX. 76501

APPROVED BY: RW

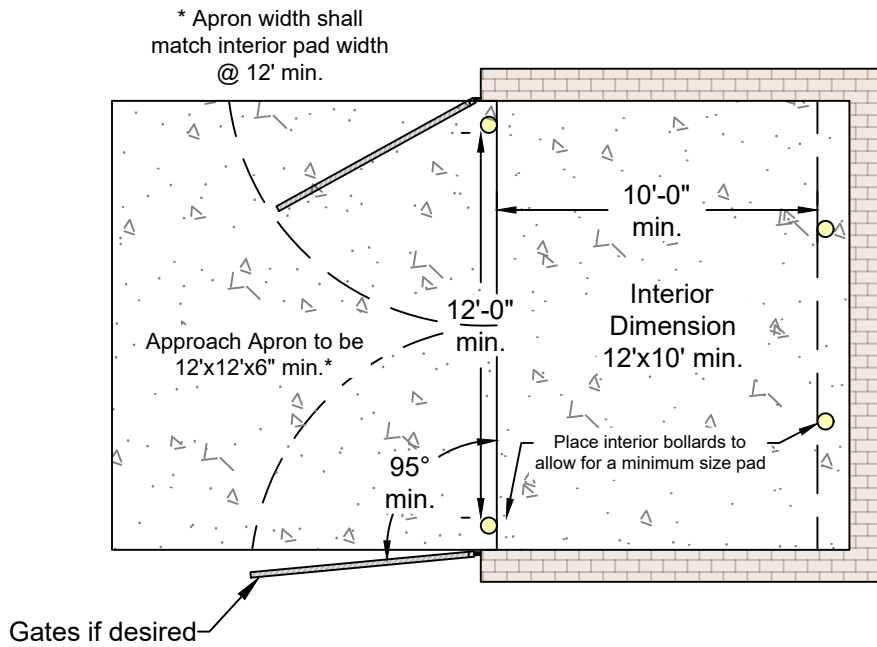
APPROVED DATE: 9/14/2020

DRAWN BY: JS

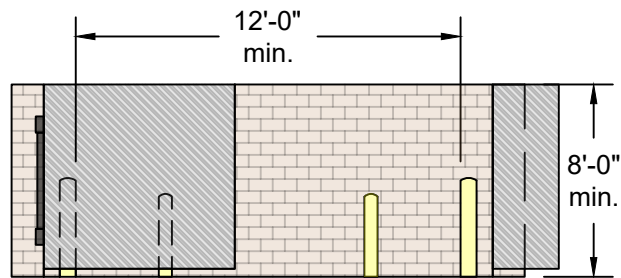
FILE NAME: Refuse Details.dwg

REFUSE ENCLOSURE W/ EXTERIOR BOLLARDS

Sheet 3 of 4

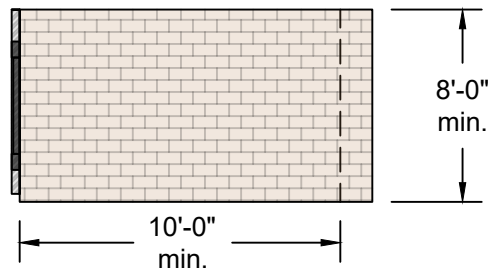
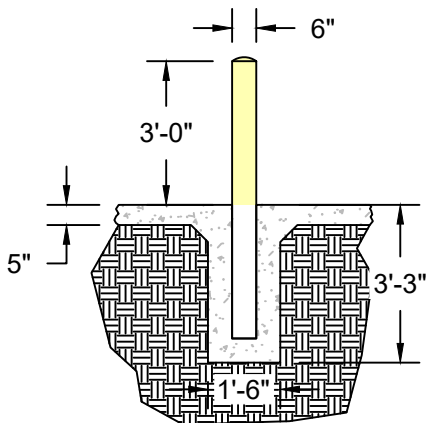


Typical Refuse Enclosure with Interior Bollards



Front

Typical Interior Bollard Dimensions



Side

Rev.	Date	Comments	Initials

APPROVED BY: RW

APPROVED DATE: 9/14/2020

DRAWN BY: JS

FILE NAME: Refuse Details.dwg



3219 Bullseye Lane

CITY OF TEMPLE  
SOLID WASTE SERVICES

TEMPLE, TX. 76501

REFUSE ENCLOSURE W/ INTERIOR BOLLARDS

Sheet 4 of 4