

From: [Anthony Parrinello](#)
To: [Michelle Ells](#)
Cc: [Bill Meranti](#)
Subject: Evergreen Strategies LLC/d/b/a Clear Sky Cannabis Sign Package
Date: Wednesday, January 20, 2021 8:04:54 AM
Attachments: [NA_Permit_Spec_Draft_1.pdf](#)

Michelle- Good morning. Please find attached the schematic for our new signage at 221 State Road. Please review and let me know if anything else is needed- I believe the level of detail is sufficient and should provide a fulsome picture of our planned work.

Please let me know the next PB meeting details. Thank you

Anthony

Site ID

North Adams Site A001

Sign Number

EXT-001



CLIENT
Clear Sky Cannabis

ADDRESS
 221 State Rd
 North Adams MA 01247

LAYOUT
KD

SHEET
A1

DATE

DESIGNER

REVISIONS

This Drawing was created by Duval Sign Contractors. It is not for distribution to any parties not affiliated with the project which is represented. Any such use is not permitted without written permission by DSC and affiliates mentioned.

Site ID

North Adams Site A001

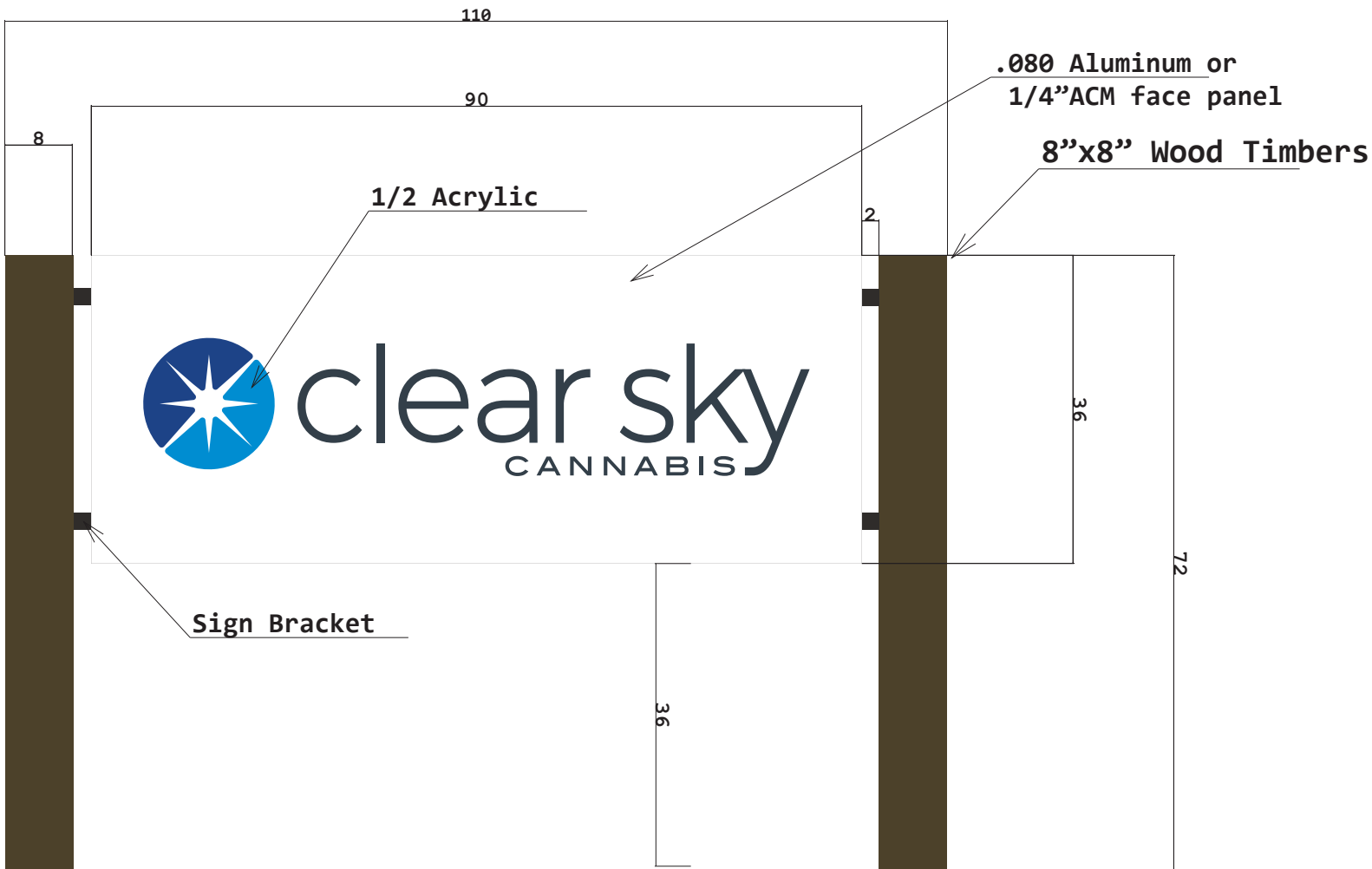
Sign Number

EXT-001

Top View

Push - Through Style Internally Illuminated Double Sided Sign

Front View



CLIENT

Clear Sky Cannabis

LAYOUT

KD

DATE

DESIGNER

REVISIONS

ADDRESS

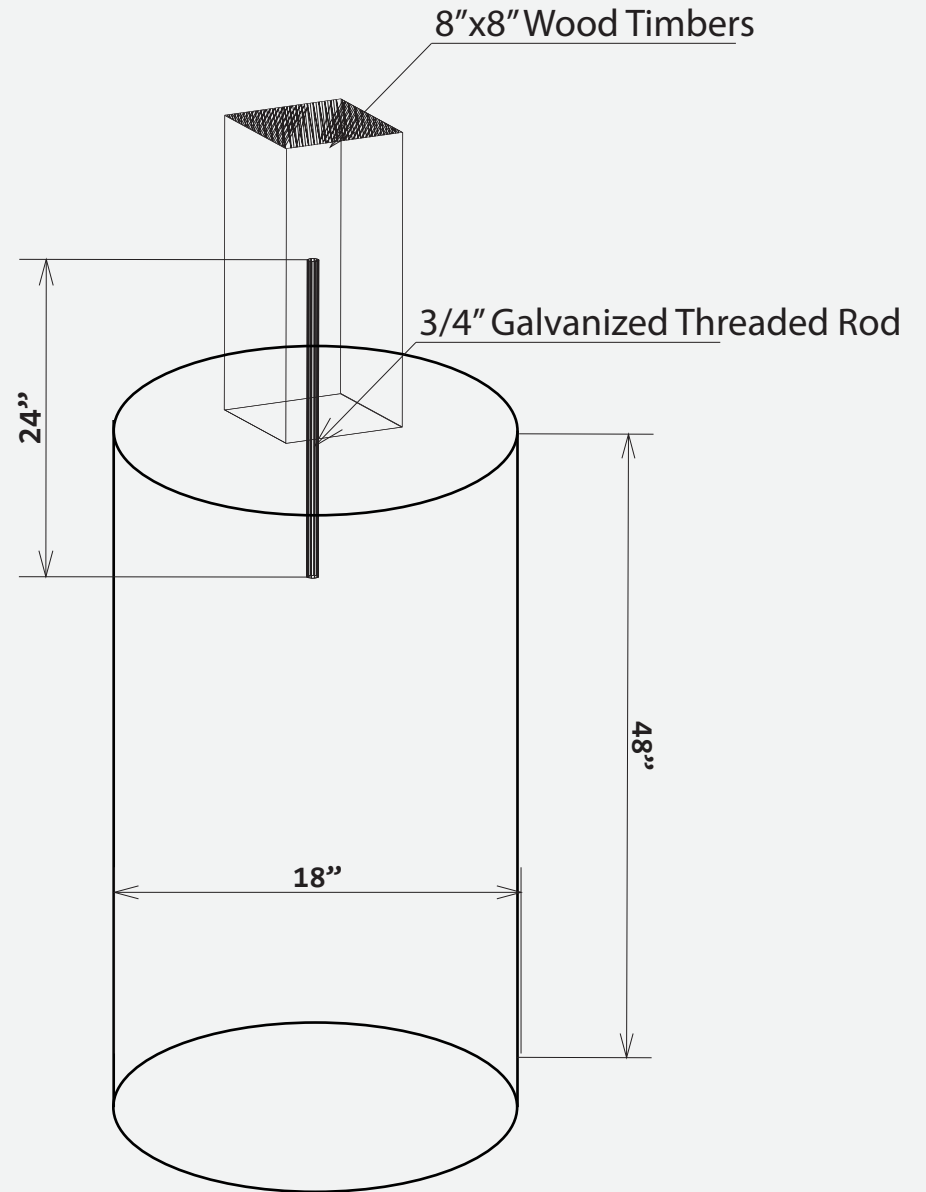
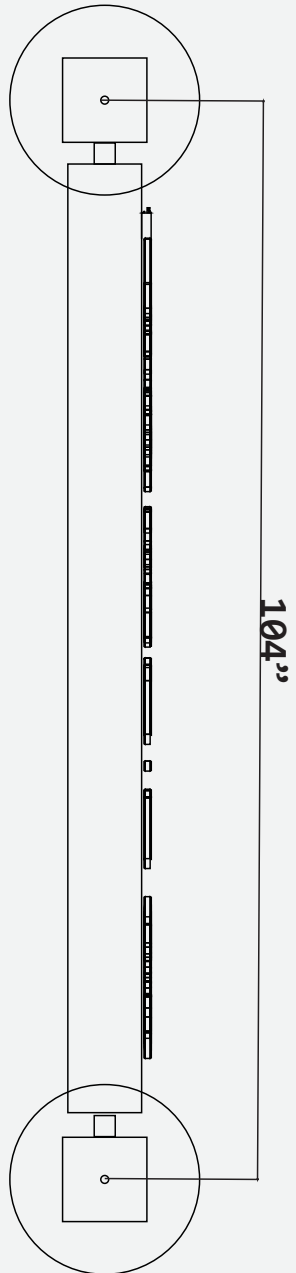
221 State Rd
North Adams MA 01247

SHEET

A1

This Drawing was created by Duval Sign Contractors. It is not for distribution to any parties not affiliated with the project which is represented. Any such use is not permitted without written permission by DSC and affiliates mentioned.

Footing Spec



CLIENT

Clear Sky Cannabis

LAYOUT

KD

DATE

DESIGNER

REVISIONS

ADDRESS

221 State Rd
North Adams MA 01247

SHEET

A1

This Drawing was created by Duval Sign Contractors. It is not for distribution to any parties not affiliated with the project which is represented. Any such use is not permitted without written permission by DSC and affiliates mentioned.

Post Base Accessory

Simpson APVB88R Avant Rough 8x8 Ornamental Post Base - Black Powder Coat

Finish Spec: ZMAX - Flat Black

Length Spec: 7"

Manufacturer Name: Simpson Strong-Tie

Fasteners Required: - (8) SDWS22312DBB Screws

- (8) STN22 Washers

- (2) 5/8" Concrete Anchors

For Treated Lumber: yes

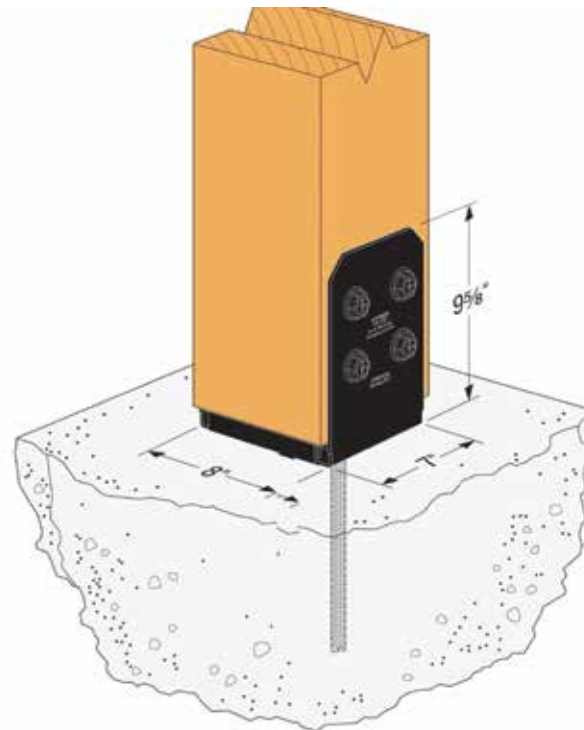
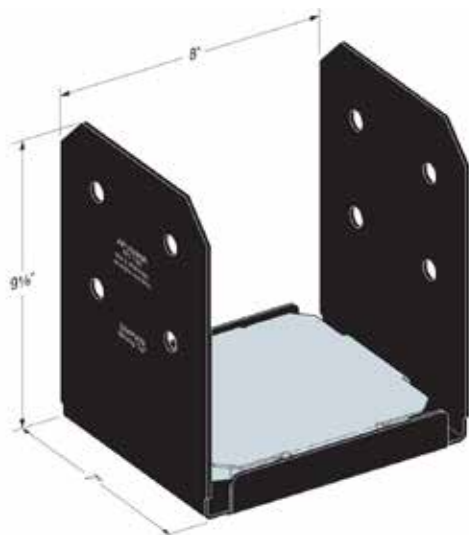
Height: 9-7/8"

Material: Carbon Steel

Post Size: 8X8

Thickness: 12 Gauge

Width Spec: 7-1/2"



CLIENT

Clear Sky Cannabis

ADDRESS

221 State Rd
North Adams MA 01247

LAYOUT

KD

SHEET

A1

DATE

DESIGNER

REVISIONS

This Drawing was created by Duval Sign Contractors. It is not for distribution to any parties not affiliated with the project which is represented. Any such use is not permitted without written permission by DSC and affiliates mentioned.