

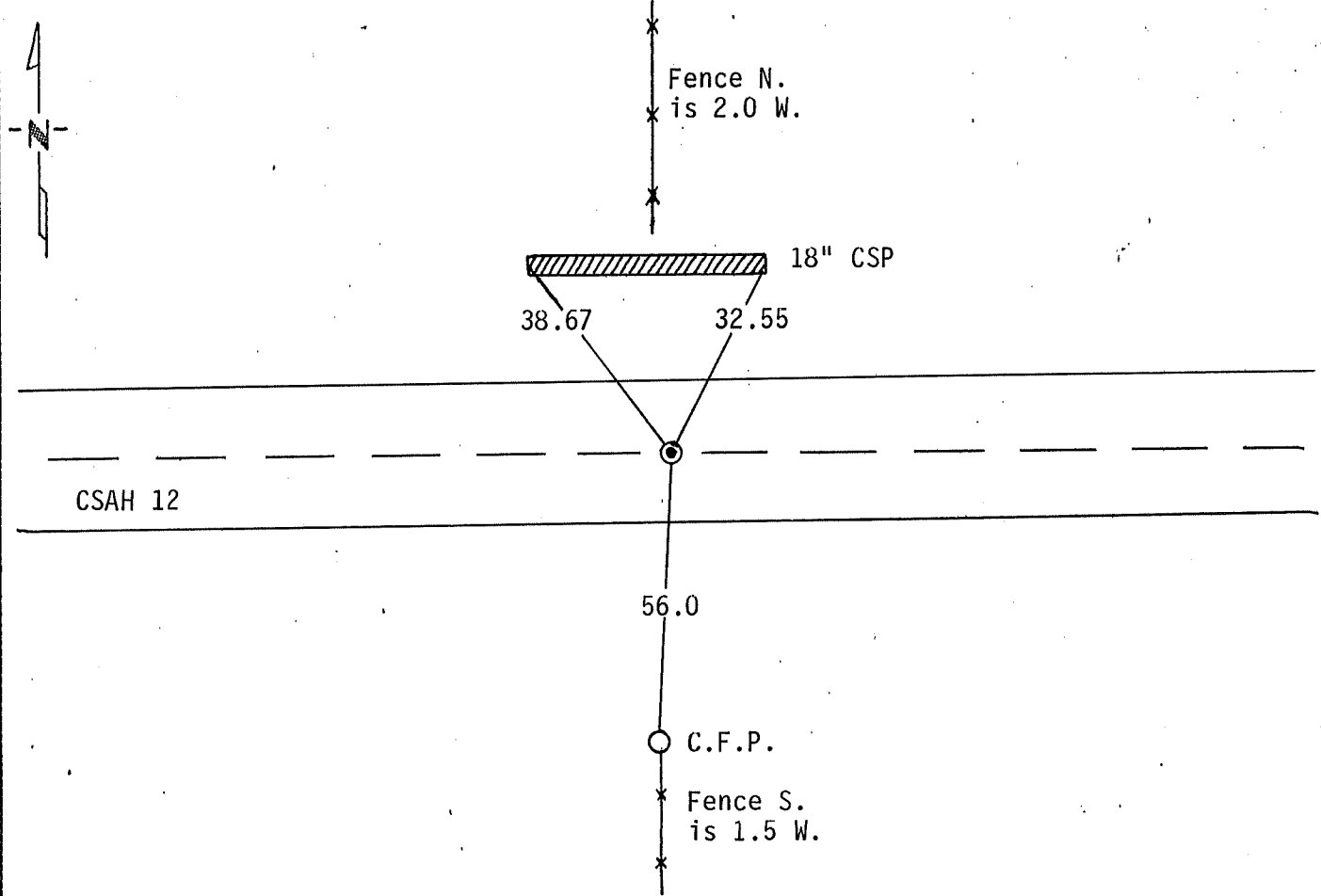
CERTIFICATE OF LOCATION OF GOVERNMENT CORNER

Center _____ Corner of Section 8, Township 101N, Range 30W, 5th P.M.
STATE OF MINNESOTA, County of MARTIN

At the corner location shown on the sketch:

- On 4-23-92 found a Stone with a "+" 30" deep.
DATE
- left monument as found, lowered monument, removed monument (explain)
- On 4-23-92 placed a Railroad spike at the surface of the bituminous
DATE material, over the previous monument.

SKETCH OF REFERENCE TIES



Statement of evidence relative to this corner location is on back of page.

I hereby certify that this document and the data contained herein was prepared by me or under my direct supervision.

Robert White 5-24-93
SIGNATURE DATE

Registration No. 10,000

- Land Surveyor, Professional Engineer
- County Surveyor, County Engineer

OFFICE OF THE REGISTER OF DEEDS

County of _____

I hereby certify that this document was filed in the Reg. of Deeds office at _____ .M. on the _____ day of _____ A.D., 19 _____

Register of Deeds _____

By _____, Deputy

DOCUMENT NO. _____