

CERTIFICATE OF LOCATION OF GOVERNMENT CORNER

NASHVILLE TWP
EAST QUARTER

Corner of Section 7, Township 104N, Range 29W, 5th P.M.

STATE OF MINNESOTA, County of MARTIN

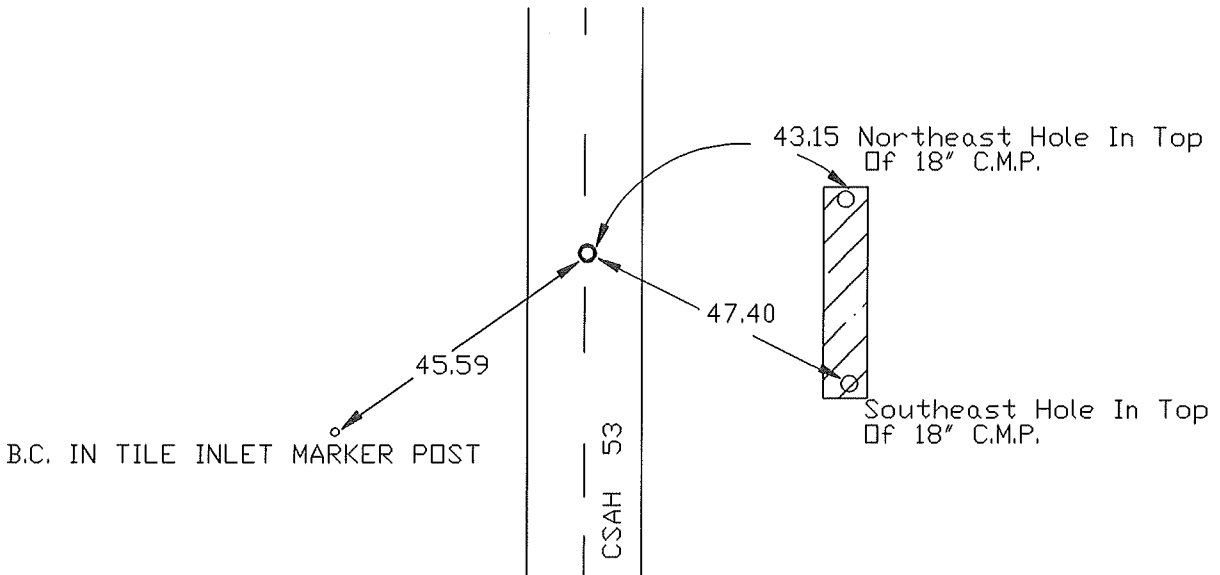
At the corner location shown on the sketch:

On 5-23-97 found a Railroad Spike in Bituminous Pavement.
DATE

left monument as found, lowered monument, removed monument (explain)

On 5-23-97 Placed a 5/8" * 24" Iron Pin W/Alum. Cap (Surface).
DATE

SKETCH OF REFERENCE TIES



Statement of evidence relative to this corner location is on back of page.

I hereby certify that this document and the data contained herein was prepared by me or under my direct supervision.

SIGNATURE DATE

Registration No. _____

- Land Surveyor, Professional Engineer
- County Surveyor, County Engineer

OFFICE OF THE REGISTER OF DEEDS
County of MARTIN

I hereby certify that this document was filed in the Reg. of Deeds office at _____ M. on the

_____ day of _____ A.D., 19____

Register of Deeds _____

By _____, Deputy

DOCUMENT NO. _____