

# CERTIFICATE OF LOCATION OF GOVERNMENT CORNER

NASHVILLE TWP.

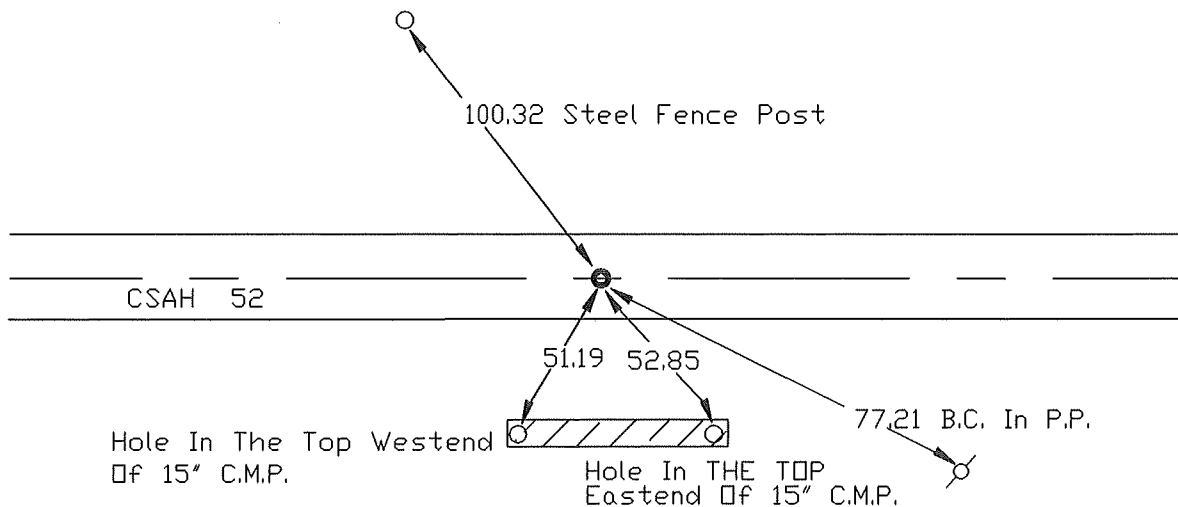
SOUTH QUARTER Corner of Section 6, Township 104N, Range 29W, 5th P.M.

STATE OF MINNESOTA, County of MARTIN

At the corner location shown on the sketch:

- On 6-4-97 found a Railroad Spike in Bituminous Pavement.  
DATE
- left monument as found,  lowered monument,  removed monument (explain)
- On 6-4-97 Placed a 5/8" x 24" IRON ROD WITH ALUMINUM CAP (SURFACE).  
DATE

## SKETCH OF REFERENCE TIES



Statement of evidence relative to this corner location is on back of page.

I hereby certify that this document and the data contained herein was prepared by me or under my direct supervision.

\_\_\_\_\_  
SIGNATURE DATE

Registration No. \_\_\_\_\_

- Land Surveyor,  Professional Engineer
- County Surveyor,  County Engineer

OFFICE OF THE REGISTER OF DEEDS  
County of MARTIN

I hereby certify that this document was filed in the Reg. of Deeds office at \_\_\_\_\_M. on the

\_\_\_\_\_ day of \_\_\_\_\_ A.D., 19\_\_\_\_

Register of Deeds \_\_\_\_\_

By \_\_\_\_\_, Deputy

DOCUMENT NO. \_\_\_\_\_