

CERTIFICATE OF LOCATION OF GOVERNMENT CORNER

NASHVILLE TWP.

NORTH QUARTER Corner of Section 5, Township 104N, Range 29W, 5th P.M.

STATE OF MINNESOTA, County of MARTIN

At the corner location shown on the sketch:

On 7-21-97 found 1 1/4" Iron Pin.
DATE

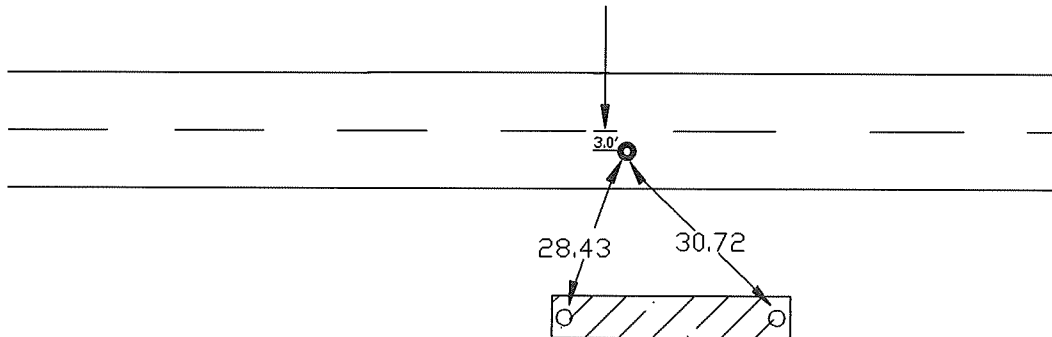
left monument as found, lowered monument, removed monument (explain)

On 7-21-97 placed a 5/8" * 24" IRON PIN W/ALUM. CAP (4" Deep).
DATE

SKETCH OF REFERENCE TIES



CL OF Road Is 3.0' North .



Southwest, Hole In Top
Of 18" C.M.P.

Southeast, Hole In Top Of 18" C.M.P.

Statement of evidence relative to this corner location is on back of page.

I hereby certify that this document and the data contained herein was prepared by me or under my direct supervision.

SIGNATURE DATE

Registration No. _____

- Land Surveyor, Professional Engineer
- County Surveyor, County Engineer

OFFICE OF THE REGISTER OF DEEDS
County of MARTIN

I hereby certify that this document was filed in the Reg. of Deeds office at

_____.M. on the

____ day of _____ A.D., 19____

Register of Deeds _____

By _____, Deputy

DOCUMENT NO. _____