

CERTIFICATE OF LOCATION OF GOVERNMENT CORNER

NASHVILLE TWP.

SOUTH QUARTER

Corner of Section 29, Township ^{104N.} 102N., Range 29W., 5th P.M.

STATE OF MINNESOTA, County of MARTIN

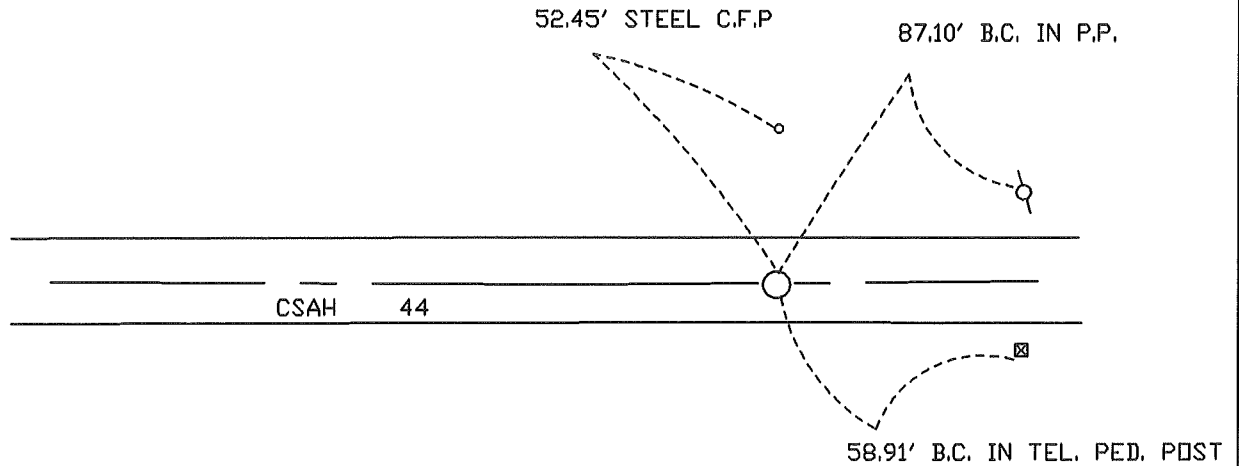
At the corner location shown on the sketch:

On 5-12-97 found a R.R. SPIKE IN BIT. PAVEMENT
DATE

left monument as found, lowered monument, removed monument (explain)

On 5-12-97 Placed a 5/8" * 24" I.R. W/ALUM. CAP (SURFACE)
DATE

SKETCH OF REFERENCE TIES



TOP OF 12" C.M.P.

Statement of evidence relative to this corner location is on back of page.

I hereby certify that this document and the data contained herein was prepared by me or under my direct supervision.

SIGNATURE DATE

Registration No. _____

- Land Surveyor, Professional Engineer
- County Surveyor, County Engineer

OFFICE OF THE REGISTER OF DEEDS

County of _____

I hereby certify that this document was filed in the Reg. of Deeds office at _____M. on the

_____day of _____A.D., 19_____

Register of Deeds _____

By _____, Deputy

DOCUMENT NO. _____