

CERTIFICATE OF LOCATION OF GOVERNMENT CORNER

NASHVILLE TWP.

SOUTH QUARTER

Corner of Section 26, Township ^{104^{N.}} 102N., Range 29W., 5th P.M.

STATE OF MINNESOTA, County of MARTIN

At the corner location shown on the sketch:

On 5-13-97 found a R.R. SPIKE IN BITUMINOUS PAVEMENT
DATE

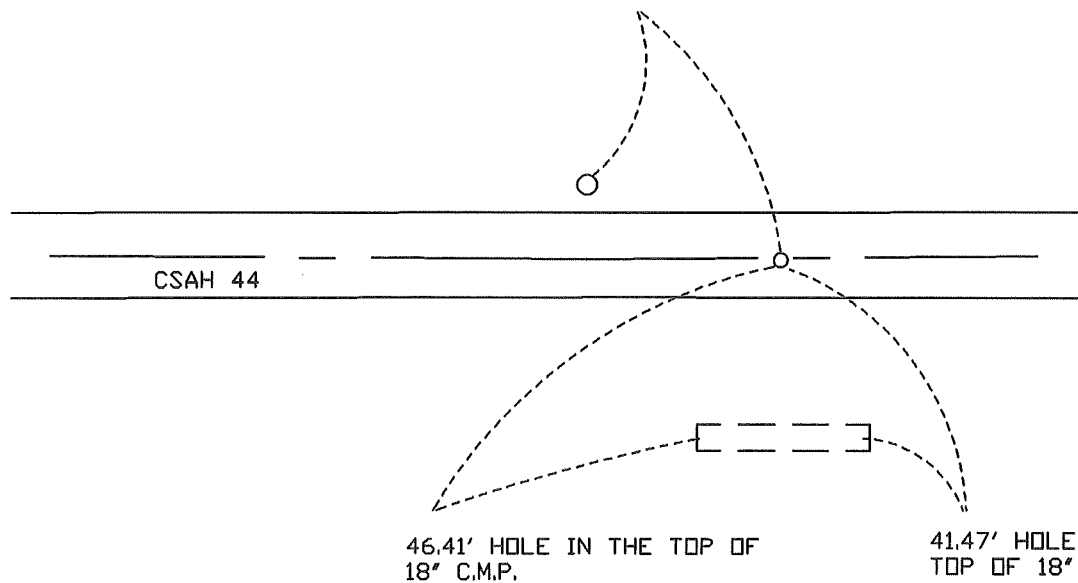
left monument as found, lowered monument, removed monument (explain)

On 5-13-97 placed a 5/8" * 24" I.R. W/ALUM. CAP (SURFACE).
DATE

SKETCH OF REFERENCE TIES



38.31' S. POST OF DEER SIGN



Statement of evidence relative to this corner location is on back of page.

I hereby certify that this document and the data contained herein was prepared by me or under my direct supervision.

SIGNATURE DATE

Registration No. _____

- Land Surveyor, Professional Engineer
- County Surveyor, County Engineer

OFFICE OF THE REGISTER OF DEEDS

County of _____

I hereby certify that this document was filed in the Reg. of Deeds office at _____M. on the

_____day of _____A.D., 19____

Register of Deeds _____

By _____, Deputy

DOCUMENT NO. _____