

CERTIFICATE OF LOCATION OF GOVERNMENT CORNER

Nashville

South 1/4 Cor. _____ Corner of Section 13, Township T 104 N, Range R 29 W 5th P.M.

STATE OF MINNESOTA, County of MARTIN

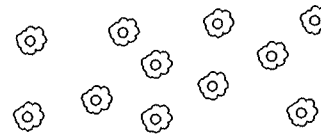
At the corner location shown on the sketch:

On 5-15-96 found a Stone + (24" Deep)
DATE

left monument as found, lowered monument, removed monument (explain)

On 5-15-96 Placed a Drilled a hole in stone & set a 5/8" x 24" I.R.
DATE
W/alum. cap (4" deep)

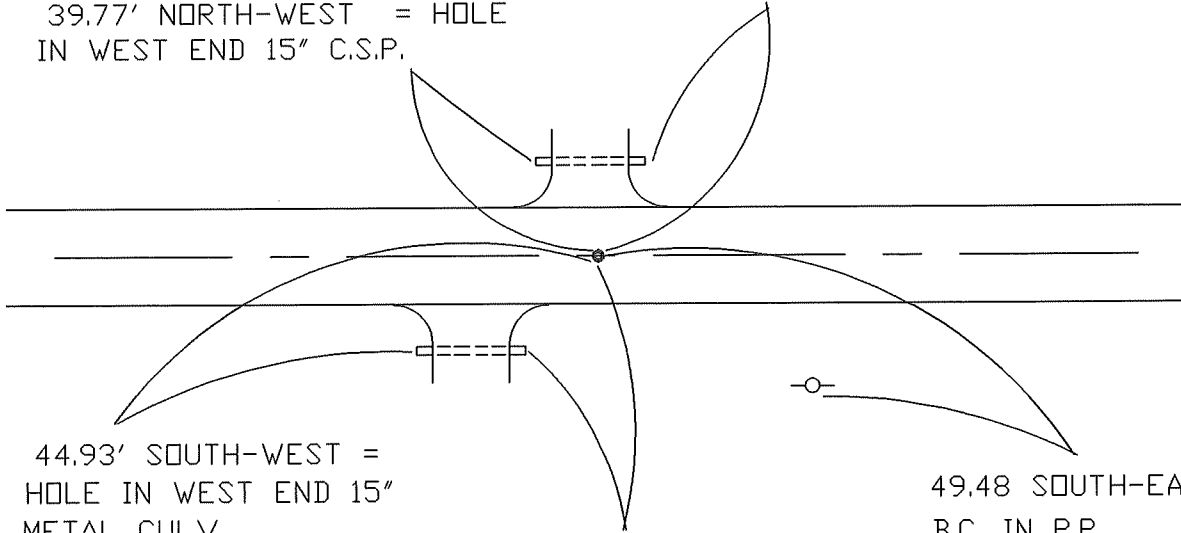
SKETCH OF REFERENCE TIES



WEST END OF GROVE
TO NORTH IS ON LINE

39.77' NORTH-WEST = HOLE
IN WEST END 15" C.S.P.

32.53' NORTH-EAST =
HOLE IN EAST END 15" METAL CULV.



44.93' SOUTH-WEST =
HOLE IN WEST END 15"
METAL CULV.

49.48 SOUTH-EAST =
B.C. IN P.P.

29.30' SOUTH-SOUTH-WEST =
HOLE IN EAST END 15" METAL
CULV.

Statement of evidence relative to this corner location is on back of page.

I hereby certify that this document and the data contained herein was prepared by me or under my direct supervision.

SIGNATURE DATE

Registration No. _____

- Land Surveyor, Professional Engineer
- County Surveyor, County Engineer

OFFICE OF THE REGISTER OF DEEDS
County of MARTIN

I hereby certify that this document was filed in the Reg. of Deeds office at _____M. on the _____day of _____A.D., 19____

Register of Deeds _____

By _____, Deputy

DOCUMENT NO. _____