

CERTIFICATE OF LOCATION OF GOVERNMENT CORNER

MANYASKA

SOUTH 1/4 Corner of Section 31, Township T102-N, Range R32W, 5th P.M.

STATE OF MINNESOTA, County of MARTIN

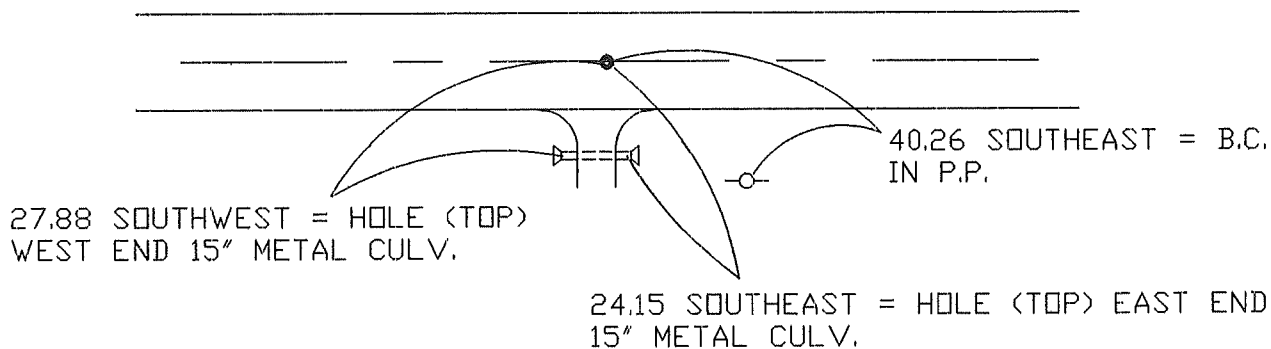
At the corner location shown on the sketch:

On 5-15-00 found a 3/4" IRON PIN (4" DEEP)
DATE

left monument as found, lowered monument, removed monument (explain)

On 5-15-00 Placed a 5/8" X 24" IRON ROD W/ALUM. CAP (4" DEEP)
DATE

SKETCH OF REFERENCE TIES



Statement of evidence relative to this corner location is on back of page.

I hereby certify that this document and the data contained herein was prepared by me or under my direct supervision.

SIGNATURE

DATE

Registration No. _____

- Land Surveyor, Professional Engineer
- County Surveyor, County Engineer

OFFICE OF THE REGISTER OF DEEDS
 County of MARTIN

I hereby certify that this document was filed in the Reg. of Deeds office at _____, M. on the

_____ day of _____ A.D., 19____

Register of Deeds _____

By _____, Deputy

DOCUMENT NO. _____