

CERTIFICATE OF LOCATION OF GOVERNMENT CORNER

MANYASKA

SOUTHEAST Corner of Section 3, Township T102-N, Range R32W, 5th P.M.

STATE OF MINNESOTA, County of MARTIN

At the corner location shown on the sketch:

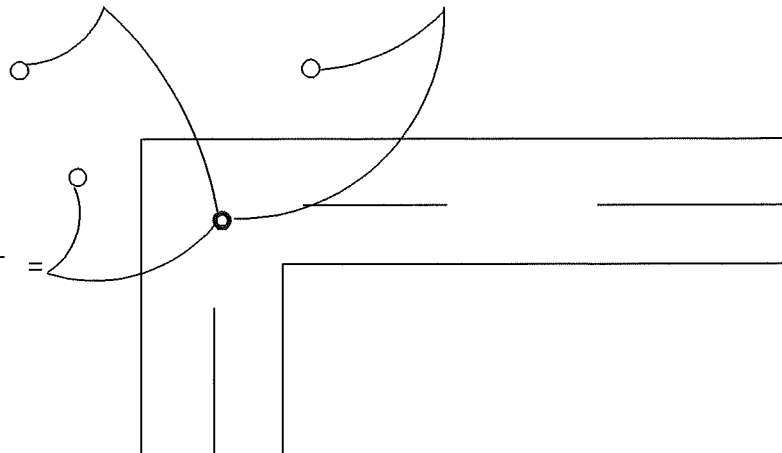
- On 3-2-00 found a IRON ROD W/ALUM. CAP (4" DEEP)
DATE
- left monument as found, lowered monument, removed monument (explain)
- On _____ Placed a _____
DATE

SKETCH OF REFERENCE TIES

71.10 NORTHWEST = S.R.P. IN
WOOD FENCE POST (BRACE POST)

66.42 NORTHEAST = S.R.P. IN
WOOD FENCE POST (BRACE POST)

35.08 WEST-NORTHWEST =
SOUTH POST OF ARROW
SIGN



Statement of evidence relative to this corner location is on back of page.

I hereby certify that this document and the data contained herein was prepared by me or under my direct supervision.

SIGNATURE

DATE

Registration No. _____

- Land Surveyor, Professional Engineer
- County Surveyor, County Engineer

OFFICE OF THE REGISTER OF DEEDS

County of MARTIN

I hereby certify that this document was filed in the Reg. of Deeds office at

_____.M. on the

_____day of _____, A.D., 19____

Register of Deeds _____

By _____, Deputy

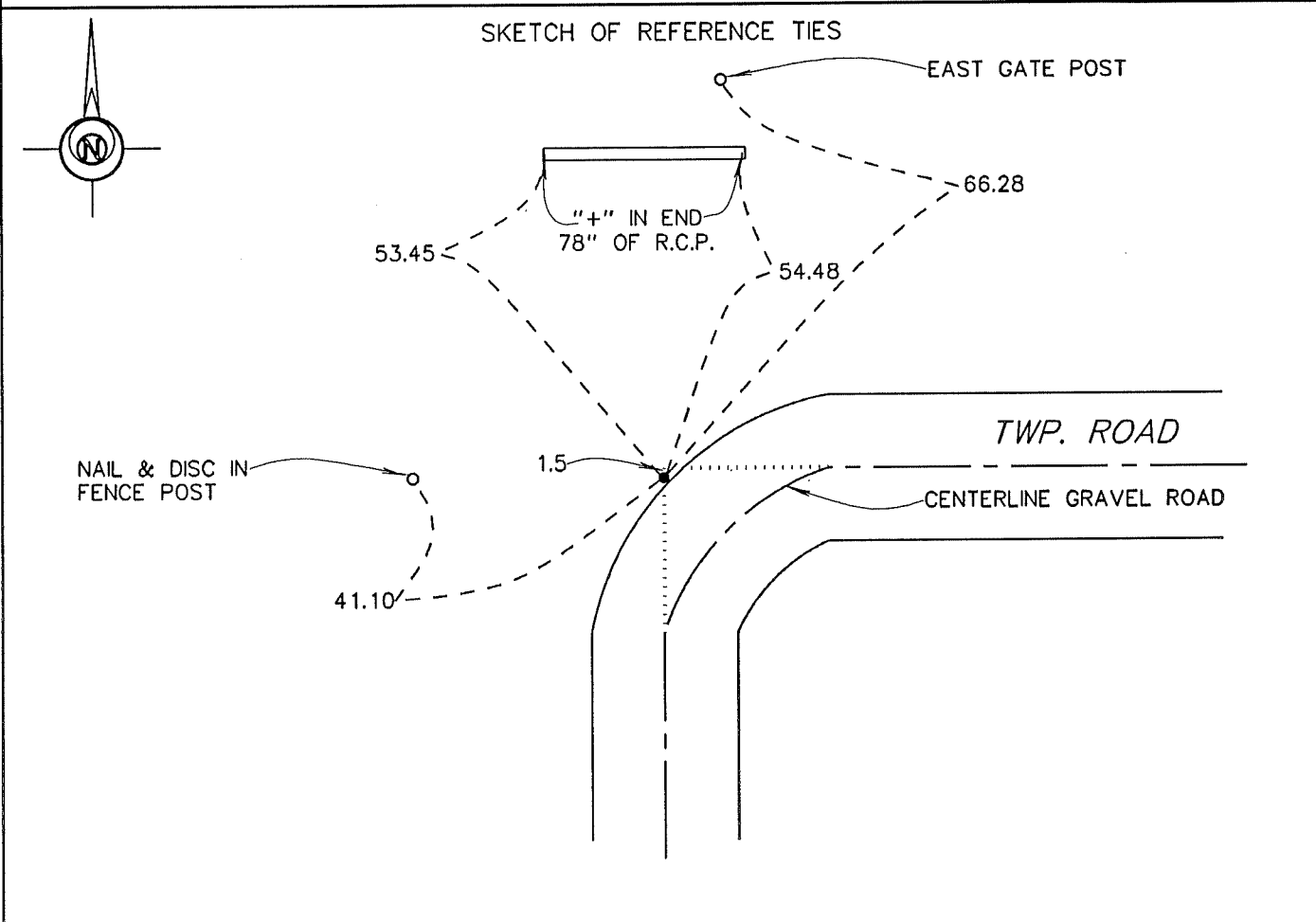
DOCUMENT NO. _____

CERTIFICATE OF LOCATION OF GOVERNMENT CORNER

SOUTHEAST Corner of Section 3, Township 102 N., Range 32 W., 5TH P.M.
STATE OF MINNESOTA, County of MARTIN

At the corner location shown on the sketch:

- On 6-4-94 found a CONCRETE MONUMENT OVER A STONE WITH "+" (15" DEEP)
DATE
- left monument as found, lowered monument, removed monument (explain)
- On 6-4-94 placed a DRILLED HOLE IN STONE "+" & SET A 5/8" X 30" IRON
DATE
MONUMENT WITH AN ALUMINUM CAP IN HOLE (SURFACE).



Statement of evidence relative to this corner location is on back of page.

I hereby certify that this document and the data contained herein was prepared by me or under my direct supervision.

John Madson 5/13/96
SIGNATURE DATE

Registration No. 13593

- Land Surveyor, Professional Engineer
- County Surveyor, County Engineer

OFFICE OF THE COUNTY RECORDER
County of MARTIN

I hereby certify that this document was filed in the Co. Recorders Office at _____ M. on the _____ day of _____ A.D., 19____.

County Recorder _____
By _____, Deputy
DOCUMENT NO. _____

**S.E. Cor. Sec. 3, T. 102 N., R. 32 W.
(Manyaska Twp)**

Statement of Evidence

The corner was originally established during the Public Land Survey of 1857, by John O. Brunius.

According to the recorded Certificate of Location, Doc. No. 265645 Date, April 2, 1981, the corner was a stone "+" over crockery and an iron stake, with a 1 1/4 x 6" iron pin over stone.

On June 4, 1994, I found a conc. mon. over a stone "+" (15" deep), Drilled hole in stone and set a 5/8" x 30" iron rod with alum. cap over stone. (surface)

The History shown was obtained from the Martin County Highway Dept. Tie Records and existing Certificates of Location, only. Further History information may be obtained from the Martin County Records Office.