

CERTIFICATE OF LOCATION OF GOVERNMENT CORNER

Manyaska

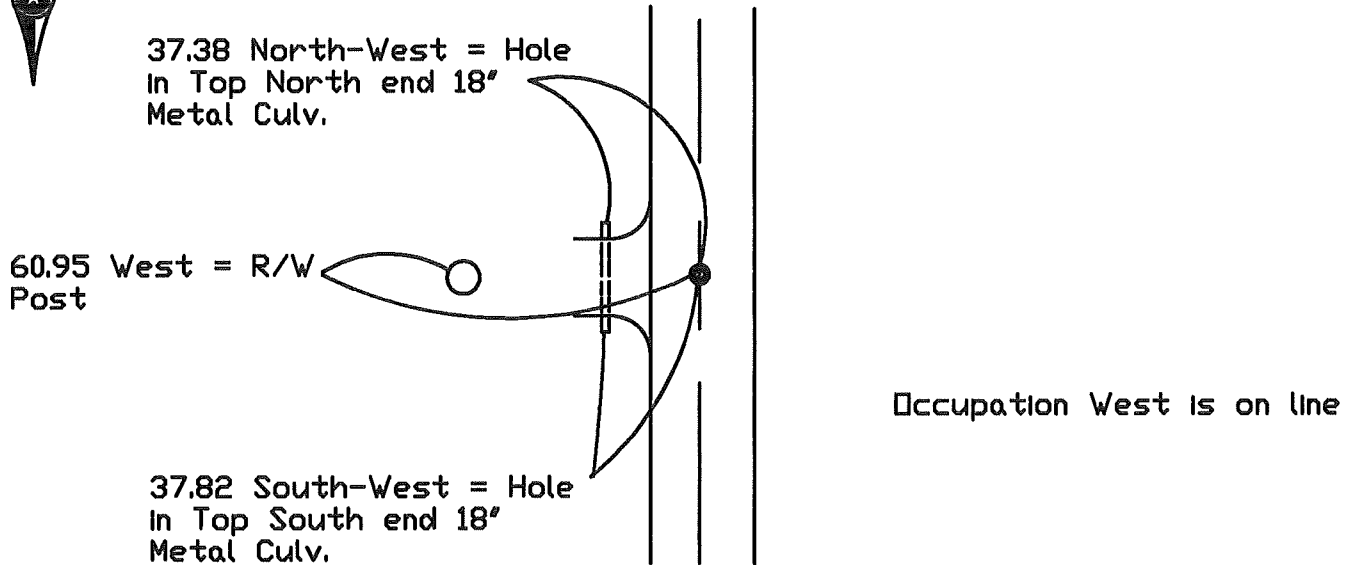
South-East Corner of Section 13, Township T102N, Range R32W, 5th P.M.

STATE OF MINNESOTA, County of MARTIN

At the corner location shown on the sketch:

- On 7-13-99 found a 3/4" I.P. (3" Deep) in Bit. Paving
DATE
- left monument as found, lowered monument, removed monument (explain)
- On 7-13-99 Placed a 5/8" X 24" I.R. W/Alum. Cap (Surface)
DATE

SKETCH OF REFERENCE TIES



Statement of evidence relative to this corner location is on back of page.

I hereby certify that this document and the data contained herein was prepared by me or under my direct supervision.

SIGNATURE DATE

Registration No. _____

- Land Surveyor, Professional Engineer
- County Surveyor, County Engineer

OFFICE OF THE REGISTER OF DEEDS
County of MARTIN

I hereby certify that this document was filed in the Reg. of Deeds office at _____, M. on the

_____ day of _____, A.D., 19____

Register of Deeds _____

By _____, Deputy

DOCUMENT NO. _____