



ROGER L. DONALDSON, AIA P.L.C.
ARCHITECT

Member
International Code Council
U.S. Green Building Council
American Institute of Architects
Association of Licensed Architects
National Fire Protection Association
National Frame Builders Association
Construction Specifications Institute
National Council of Architectural Registration Boards

VANHOOSE PROPERTIES LLC
RENTAL REHABILITATION
328 S. LAFAYETTE ST
GREENVILLE, MI 48838

ARCHITECTS PROJECT #20-45

DATE: January 30, 2023

ADDENDUM #1

PURPOSE:

This addendum is issued for the purpose of modifying and/or clarifying the original plans and specifications and shall take precedence over them. This addendum forms a part of the Contract Documents.

All work included herein shall be in accordance with the original plans and specifications except as specifically noted herein.

This addendum is being sent to all known general contractors receiving plans and specifications. Receipt of this addendum shall be noted on the Proposal Form in the appropriate locations. Failure to note receipt of this addendum may disqualify the Bidder.

ITEMS INCLUDED WITH ADDENDA:

ADDENDUM #1PAGES 1 - 2

CHANGES TO DRAWINGS:

1. SHEET A0.2 – GENERAL DEMOLITION NOTES: Add note #24:
“ **24. Clean areas of all Lead containing materials prior to start of work.** “
2. SHEET A4.1 – GENERAL CASEWORK NOTES: Change Note 6b from “ 15” (Unless Otherwise noted)“ to “ **12” standard** “
3. SHEET A4.1– DETAIL 14/A4.1: Add detail to sheet as shown below.

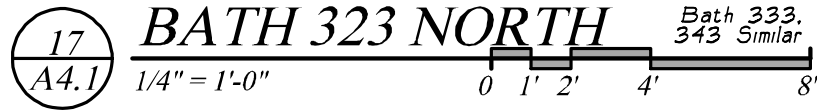
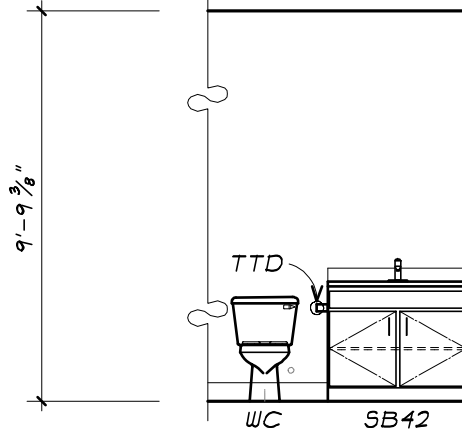
4787 Tartan Lane

Holt, Michigan 48842-1935

RogerAIA@comcast.net
email

(517) 694-0011
office

D E S I G N I N G A B E T T E R F U T U R E



4. SHEET A6.1 – ROOM FINISH NOTES: Add to Note #11:
24” x 36” Mirror – Home Depot Glacier Bay <https://is.gd/ILcCME>
5. SHEET A6.1 – ROOM FINISH NOTES: Add to Note #12:
40” x 36” Mirror – Home Depot Glaciewr Bay <https://is.gd/cgAbKv>
6. SHEET A6.1 – ROOM FINISH NOTES: Add Note #19:
Provide Winodw Drapery Allowance of \$4,000.⁰⁰ in project bid.
7. Sheet M2.1 – BASEMENT MECHANICAL PLAN: At south east corner Add Note:
“Remove existing Cast Iron Sanitary Piping to main in Alley. Provide new 4” Schedule “40” PVC piping to main. Comply with City of Greenvilee Engineering Standards and Permit requirements.”

END OF ADDENDUM #1

EC: Owner