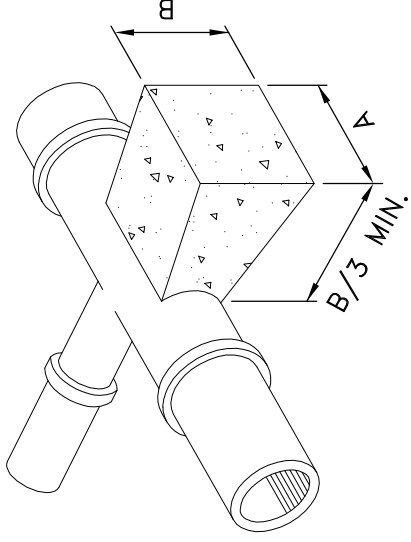
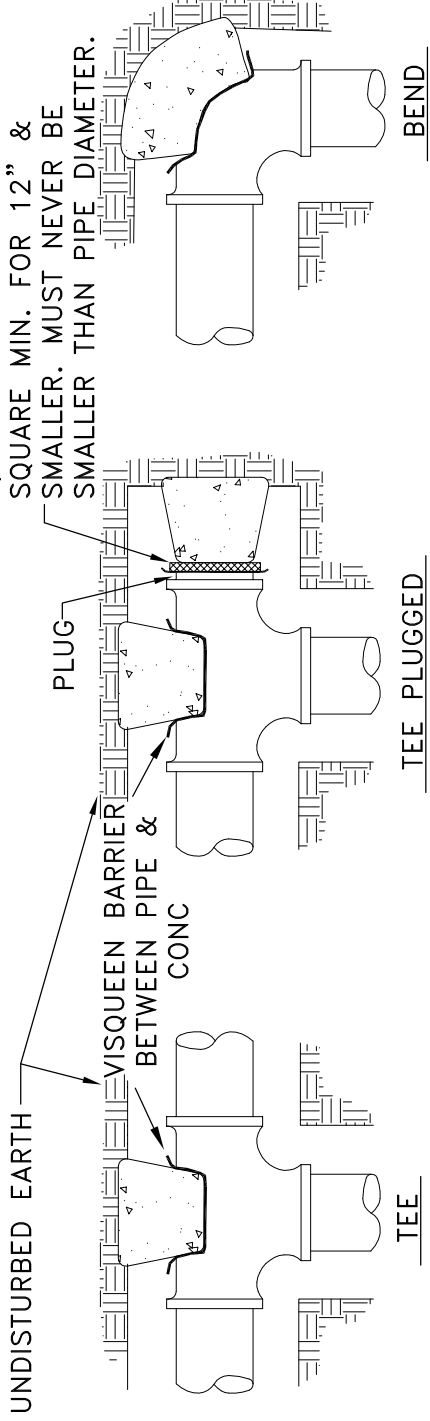


NOTE:  
FOR TEE, PROVIDE THRUST  
BLOCKING FOR BRANCH SIZE.



3/4" EXTERIOR PLYWOOD, 1'-0"  
SQUARE MIN. FOR 12" &  
SMALLER. MUST NEVER BE  
SMALLER THAN PIPE DIAMETER.



DIMENSIONS FOR THRUST BLOCKING

FITTING SIZES	TEES & PLUGS		90° BENDS		45° BENDS		Y'S		22 1/2° BENDS	
	A	B	A	B	A	B	A	B	A	B
4"	1'-6"	1'-6"	1'-6"	1'-9"	1'-3"	0'-6"	1'-0"	0'-6"	1'-0"	0'-6"
6"	2'-0"	1'-0"	2'-0"	2'-0"	1'-3"	1'-6"	1'-0"	1'-6"	1'-0"	1'-5"
8"	2'-0"	1'-6"	2'-3"	2'-3"	1'-8"	1'-8"	1'-0"	1'-8"	1'-0"	1'-3"
10"	2'-6"	2'-3"	2'-9"	2'-10"	2'-3"	1'-10"	1'-3"	1'-10"	1'-3"	2'-0"
12"	3'-0"	2'-9"	3'-6"	3'-3"	2'-6"	2'-4"	2'-0"	2'-6"	2'-0"	1'-6"
14"	3'-5"	3'-0"	4'-0"	3'-8"	3'-6"	2'-4"	2'-0"	2'-4"	2'-0"	2'-3"
16"	4'-0"	3'-6"	5'-0"	4'-0"	3'-6"	3'-0"	2'-6"	3'-0"	2'-6"	2'-3"
18"	4'-0"	4'-3"	6'-0"	4'-0"	4'-0"	3'-3"	2'-9"	4'-0"	2'-9"	2'-6"
20"	5'-0"	4'-3"	6'-0"	5'-0"	4'-3"	4'-0"	3'-0"	4'-0"	3'-0"	2'-9"
24"	6'-0"	5'-3"	8'-0"	5'-6"	6'-0"	4'-0"	4'-0"	4'-0"	4'-0"	3'-0"

NOTES:

1. THIS TABLE IS BASED ON 200 P.S.I. MAIN PRESSURE AND 2000 P.S.F. SOIL BEARING PRESSURE. ADJUST BEARING AREAS IN ACCORDANCE WITH SOIL CONDITIONS AND PRESSURES ENCOUNTERED.
2. USE POLYETHYLENE ENCASMENT BETWEEN CONCRETE AND PIPE.
3. REFER TO CONCRETE STANDARD SPECIFICATIONS.
4. THE "THRUST BLOCKING DETAILS" IN NO WAY LIMITS THE LOCATION OR SIZE OF ADDITIONAL BLOCKING WHEN SO WARRANTED OR REQUIRED BY THE ENGINEER.
5. THRUST BLOCKS NEED TO BE INSPECTED BY CITY PRIOR TO BACKFILL.

## GRANTSVILLE CITY THRUST BLOCK DETAIL