

FAIRPORT MUNICIPAL COMMISSION  
31 South Main Street  
Fairport, New York 14450

CONSUMER OWNED AND  
MUNICIPALLY  
OPERATED



Operations Center 24/7 (585) 223-9500

Customer Service (585) 223-0440

Accounts Payable (585) 223-0441

**Fairport Electric allows one electric service location per tax parcel. To obtain this service, Fairport Electric will require the following prior to energization.**

### **IN THE TOWN OF PERINTON:**

1. Contractor shall obtain a valid electrical permit from the Town of Perinton.
2. Contractor shall obtain a trench inspection by Fairport Electric for all underground services.
3. Contractor shall schedule an electrical inspection by the Town of Perinton building department. (585-223-0770 at least 24 hours in advance)
4. Contractor shall call Fairport Electric to schedule disconnect/reconnect of service. (585-223-9500 at least 48 hours in advance)

### **IN THE VILLAGE OF FAIRPORT:**

1. Contractor shall obtain a valid electrical permit from the Village of Fairport.
2. Contractor shall obtain a trench inspection by Fairport Electric for all underground services.
3. Contractor to schedule an electrical inspection by one of the following:
  - a) Middle Department (585-454-5191)
  - b) Commonwealth Inspection Agency (585-624-2380)
  - c) New York Electrical Inspection Agency(585-436-4460)
4. Contractor shall call Fairport Electric to schedule disconnect/reconnect of service. (585-223-9500 at least 48 hours in advance)

**For new service locations in the Town of Perinton or the Village of Fairport: The applicant must complete an electrical service application and make a deposit with the Fairport Municipal Commission (FMC) electrical billing office (585-223-0440) prior to Fairport Electric energizing the service and setting an electrical meter.**

**585-223-9500**

**FAIRPORT MUNICIPAL COMMISSION APPROVED METER SOCKETS BY APPLICATION**

**For all Single Phase 100A, 150A, 200A, Overhead and Underground Services**

**Description 200 AMP Overhead/Underground:**

1-Position, 200 AMP, top opening for a standard 1" to 2 1/2", 4 jaw socket with horn type bypass and provisions for later installation of a 5<sup>th</sup> jaw. Line/load connections, lay-in style, #2 through 250 MCM. At least one grounding terminal and ringless latch type cover.

**Description – 200 AMP Multiple-Gang, Overhead/Underground 1 Phase, 3 Wire, 120/240V:**

**1, 2, 3, 4, 5 and 6 position, 200 AMP capacity per position, hub opening for standard 1" to 2 1/2" entry, 4 jaw socket with horn bypass and provisions for later installation of a 5<sup>th</sup> jaw. Bussed line conductor, load conductor lay-in style for up to #4/0 Awg. At least one grounding terminal per position and ringless latch type cover.**

**Description – 320 AMP Overhead/Underground, 1 Phase, 3 Wire, 120/240V:**

**1 – Position, 320 AMP, top or bottom opening for large size hub. 4-jaw socket with safety shield and provision for 5<sup>th</sup> jaw. Non-removable bypass lever, single 3/8" studs line/load. At least one grounding terminal and ringless latch type cover.**

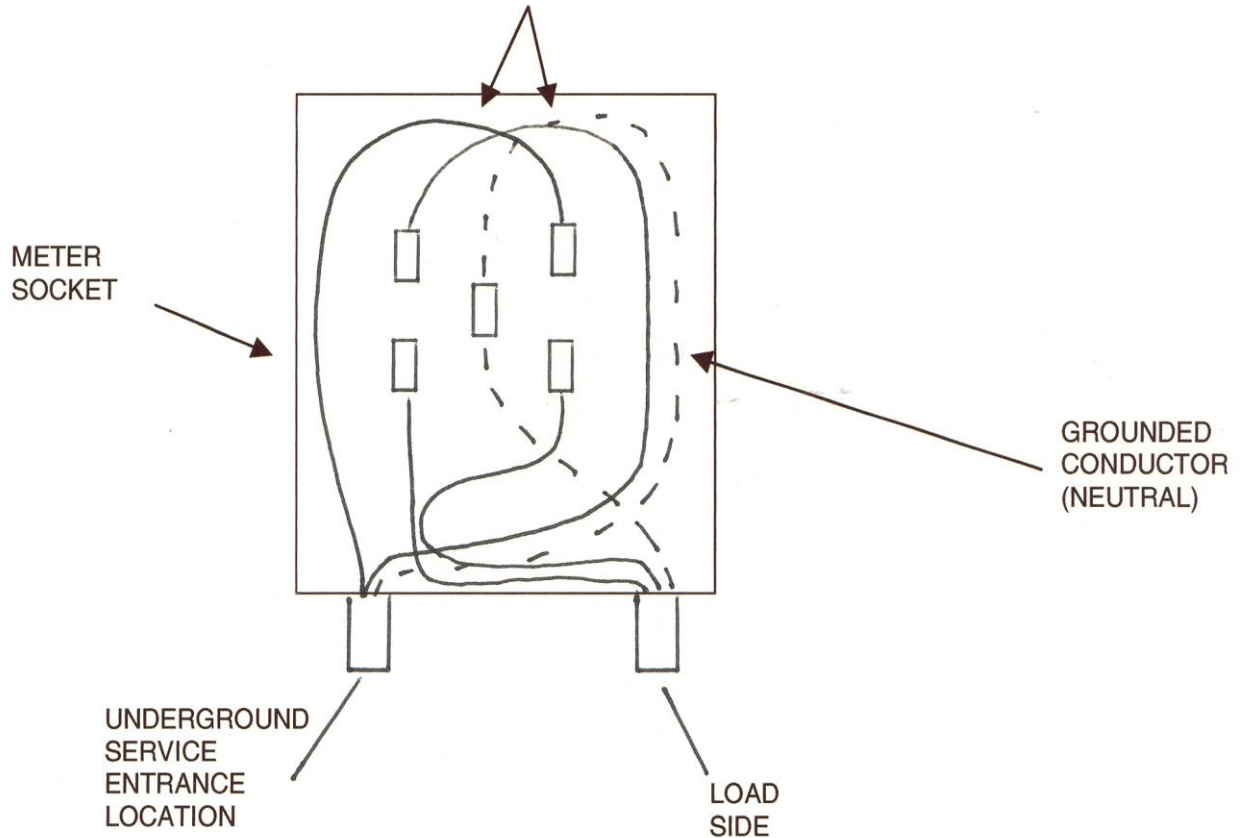
**See Page 3 for complete list of Part Numbers**

Manufacturer →	Milbank	Eaton/ Cutler Hammer	Murray	Square D	Siemens/ Landis & GYR Talon	Cooper B-Line
125 amp 4 term 1p3w (See Note 1)	CAT# U7487-RL-TG-KK	N/A	N/A	N/A	N/A	N/A
200 amp 4 term 1p3w	CAT# U7040-RL-TG-KK	CAT# UHTRS213CE	N/A	CAT# UHTRS213B	CAT# UAT417	N/A
2 gang 4 term 1p3w	CAT# U1252-R-KK	CAT# UEHT2R2302UCH	N/A	N/A	CAT# UA2717-YPRG	N/A
3 gang 4 term 1p3w	CAT# U1253-R-KK	CAT# UEHT3R2302UCH	N/A	N/A	CAT# UA3717-YPRG	N/A
4 gang 4 term 1p3w	CAT# U1254-R-KK-EX	CAT# UEHT4R2302UCH	N/A	N/A	CAT# UA4719-YPRG	N/A
5 gang 4 term 1p3w	CAT# U1255-R-KK-EX	CAT# UEHT5R2302UUCH	N/A	N/A	CAT# UA5719-KPRG	N/A
6 gang 4 term 1p3w	CAT# U1256-R-KK-EX	CAT# UEHT6R2302UUCH	N/A	N/A	CAT# UA6719-KPRG	N/A
320 amp 4 term 1p3w w/bypass	UG CAT# U1797-0 OH/UG CAT# U2448-X	CAT# UTH4330TCH	CAT# RK178A	CAT# UTH4330T	CAT# 48104-02RG	N/A
<b>CT Boxes</b>						
400 amp 1p3w 120/240V 3p4w 120/208V 3p4w 120/240V (w/o VT's)	CAT# CT242411-SC 11Dx24Wx24H NEMA 3R	N/A	N/A	N/A	N/A	CAT# 303012RHC Cabinet & N3030P Back Panel
400 amp 3p4w 277/480V (w/VT's)	CAT# 363612-CT3R 12Dx36Wx36H NEMA 3R	N/A	N/A	N/A	N/A	CAT# 363612RHC Cabinet & N3636P Back Panel
800 amp (all voltages)	CAT# 483612-CT3R 12Dx48Wx36H NEMA 3R	N/A	N/A	N/A	N/A	CAT# 363612RHC Cabinet & N3636P Back Panel

**Note #1** :Time Warner , Frontier Telephone Power Supplies, NYSDOT and County Traffic Signals only, 240 V Service only. No Residential Services.

# METER SOCKET WIRING FOR UNDERGROUND SERVICES

BOTH ENTRANCE "PHASE" CONDUCTORS  
ARE LOOPED AND ENTER AT THE TOP  
OF THE LINE SIDE LUGS



LOOPING OF CONDUCTOR AS SHOWN MINIMIZES  
DAMAGE TO CABLE AND STRESS ON CONNECTIONS

All 120volt services must be wired line side 240volt, load side 120volt.

# FAIRPORT MUNICIPAL COMMISSION

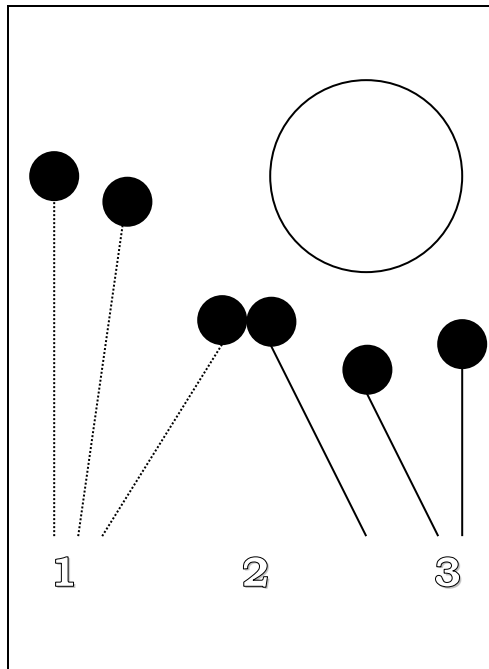
## 400A 120/240 Volt

### Single Phase Residential Service

12/2/2004

Page 1 of 1

- Compression lugs are to be provided by the contractor.



**Knockout location 1 to be used for line side:**  
**Direct Buried Services:** Customer to sand pad parallel triplex's, install frost loop, and then install parallel triplexes into One (1) 3" (min.) PVC conduit  
**Conduit full length:** Customer to install one (1) four (4) inch PVC conduit full length from FMC distribution point to a three (3) inch (Min.) reducing coupler at the meter socket.

Knockout location 2 to be used for alternate load side or to accommodate an additional service conduit.

**Knockout location 3 to be used for load side:**

UG - 12

10/6/2021

Page 5 of 12

**FAIRPORT MUNICIPAL COMMISSION**  
**SPECIFICATIONS FOR SECONDARY UNDERGROUND ELECTRIC SERVICE**

CONNECTIONS: All connections between Fairport Municipal Wires and customer wires shall be made and removed exclusively by FMC personnel. Connection to the Company's electric supply system or any alteration of existing connections by anyone except Company personnel is PROHIBITED BY PENAL LAW AND PUNISHABLE AS A MISDEMEANOR. VIOLATORS OF THIS RULE WILL BE PROSECUTED. THE LAW PROVIDES THAT THE USER OF SUCH A CONNECTION IS PRESUMED TO HAVE MADE OR CONSENTED TO THE UNAUTHORIZED CONNECTION AND IS PUNISHABLE THEREFORE, UNLESS PROVEN TO THE CONTRARY, AS WELL AS THE PARTY MAKING THE CONNECTION.

1. **The Customer will at his expense install, own, and maintain the service lateral along with the meter box.**
2. Fairport Electric shall be consulted before work is started to designate the point from which service will be taken, the route to be followed and the meter location. The meter will be spotted by a Fairport Electric authorized representative for all service changes. The electrician will need to call 223-9500 at least 48 hours in advance for a meter spot.
3. The customer will provide the trench; install conduits, and backfill in accordance with the following company specifications.
  - a. **SERVICE TRENCH:** Shall be uniform to the required thirty-six inch (36") depth and shall be a minimum of Sixteen inches (16") wide. If joint trench construction is used with other systems (RG&E, RTC and Time Warner), the trench width shall be adequate to permit a minimum of twelve inches (12") separation from other utilities.
  - b. **BACKFILL OF TRENCH:** The first one foot (1') of backfill shall be a stone free bed of sand, six inches (6") below and a sand safety cover six inches (6") above the cable. All sand for bedding and safety cover shall be approved by an FMC representative before placement. The remainder of the trench may be machine backfilled with excavated materials providing no stones, rocks, or debris with any dimension over two (2") inches is included. Sand is not required when using conduit.
  - c. **CONDUIT:** If conduit is used, it must be two and one half inch (2 1/2") minimum pipe size UL approved schedule 40 PVC for all sections underground, UL approved schedule 80 PVC for all sections under any paved surface and galvanized rigid steel conduit above ground at the pole locations. Steel conduit shall be grounded per National Electric Code and shall utilize a clamp type ground connection. Schedule 80 can be used at the meter box riser. Conduit shall be installed the continuous length of the service and must be inspected prior to backfill. A frost expansion joint is to be provided at the bottom of the meter box for all services.
  - d. **TRENCH INSPECTION:** When the trench is ready for backfill, it will be necessary to call our Service Center (223-9500) and request a trench inspection. A minimum of 24 hours' notice must be given to schedule an appointment for a trench inspection. If we receive an electrical inspection and find that the trench has already been backfilled, without a trench inspection by an FMC representative, the service will be rejected and will not be connected until it has been re-trenched and inspected in the manner stated above.
  - e. **FROST LOOP:** On direct buried services, a frost loop is required directly below the meter location with a minimum diameter of one foot (1') and a maximum diameter of two feet (2') across the loop.
  - f. **EXPANSION JOINT:** A frost slip joint of two and one half inches (2 1/2") minimum is to be provided at the bottom of the meter box for all services. UL approved schedule 80 PVC must be used for all sections above ground or under any paved surface.
  - g. **GROUNDING:** Shall be per the National Electric Code, grounding will NOT be allowed inside meter enclosures.

**UNDERGROUND SERVICE LATERALS FROM OVERHEAD DISTRIBUTION:** Customer shall install a ten-foot (10') length of two and one half inch (2 1/2") minimum galvanized steel at the pole and sufficient cable to extend from the top of the riser conduit to the FMC secondary conductors plus 5 feet (5'). The FMC will provide and install, the protective covering, necessary cable supports and will connect the cable to the secondary system. Water pipe type split clamp style grounding connector to be furnished and installed by contractor.

**METER SOCKETS:** The CUSTOMER will furnish and shall install all meter mounting equipment such as meter sockets. Meters are to be located within a five (5) foot radius of the corner of the house that fronts to the nearest FMC distribution point. All meters are to be located outdoors at a minimum height of 42" and a maximum height of 60". These measurements are to be taken from the center of the meter box to final grade. A fused disconnect must be provided at the meter box if any part of the customers service is buried under any part of the dwelling including the garage if not installed in conduit.

**INSPECTION:** Service will not be rendered in the Town of Perinton until a certificate of the approval of the customer's wiring is received in writing from the Town of Perinton Electrical Inspector. Service will not be rendered in the Village of Fairport until a certificate of the approval of the customer's wiring is received in writing from the New York Board of Fire Underwriters, Commonwealth Inspection Agency, or The Middle Department Agency.

**DISCONNECT/RECONNECT:** Fairport Electric shall DO ALL disconnects/reconnects between the hours of 7:30 a.m. and 3:30 p.m., Monday through Friday excluding Holidays. The customer shall call Fairport Electric (223-9500) to schedule a disconnect/reconnect at least 48 hours in advance. No disconnects/reconnects will be scheduled until FMC service order is created which will happen upon receipt of building permit and scheduling of electrical inspector.

**FAIRPORT MUNICIPAL COMMISSION**  
**SPECIFICATIONS FOR SECONDARY OVERHEAD ELECTRIC SERVICE**

1. **The customer will at his expense install, own, and maintain the service riser up to and including the weatherhead, along with the meter box.**
2. The Fairport Electric shall be consulted before work is started to designate the point from which service will be taken, the route to be followed and the meter location. The meter will be spotted by an authorized FMC representative for all service changes. The electrician will have to call 223-9500 to schedule a meter spot at least 48 hours in advance.
3. CONDUIT: If conduit is used, it must be UL approved galvanized steel conduit two-inch minimum (2") pipe size.
4. GROUNDING: Shall be per the National Electric Code, grounding will NOT be allowed inside meter enclosures.

METER SOCKETS: The CUSTOMER will furnish and shall install all meter mounting equipment such as meter sockets. Meters are to be located within a five (5') foot radius of the corner of the house that fronts to the nearest FMC distribution point. All meters are to be located outdoors at a minimum height of 42" and a maximum height of 60". These measurements are to be taken from the center of the meter box to final grade.

WEATHERHEAD: A rain tight weatherhead must be furnished and mounted above the house knob. Twenty-four (24") inches of wire must be left exposed for a drip loop and power company connections.

INSPECTION: Service will not be rendered in the Town of Perinton until a certificate of the approval of the customer's wiring is received in writing from the Town of Perinton Electrical Inspector. Service will not be rendered in the Village of Fairport until a certificate of the approval of the customer's wiring is received in writing from the New York Board of Fire Underwriters, Commonwealth Inspection Agency, or The Middle Department Agency.

DISCONNECT/RECONNECT: Fairport Electric shall DO ALL disconnects/reconnects between the hours of 7:30 a.m. and 3:30 p.m., Monday through Friday excluding Holidays. The customer shall call Fairport Electric (223-9500) to schedule a disconnect/reconnect at least 48 hours in advance. No disconnects/reconnects will be scheduled until FMC service order is created which will happen upon receipt of building permit and scheduling of electrical inspector.

CONNECTIONS: All connections between Fairport Municipal Wires and customer wires shall be made and removed exclusively by FMC personnel. Connection to the Company's electric supply system or any alteration of existing connections by anyone except Company personnel is PROHIBITED BY PENAL LAW AND PUNISHABLE AS A MISDEAMEANOR. VIOLATORS OF THIS RULE WILL BE PROSECUTED. THE LAW PROVIDES THAT THE USER OF SUCH A CONNECTION IS PRESUMED TO HAVE MADE OR CONSENTED TO THE UNAUTHORIZED CONNECTION AND IS PUNISHABLE THEREFORE, UNLESS PROVEN TO THE CONTRARY, AS WELL AS THE PARTY MAKING THE CONNECTION.

**FAIRPORT MUNICIPAL COMMISSION**  
**SPECIFICATIONS FOR PRIMARY UNDERGROUND ELECTRIC SERVICE**

1. **The customer will at their expense install, own, and maintain the primary service.**
2. Fairport Electric shall be consulted before work is started to designate the point from which service will be taken, the route to be followed and the meter location.
3. Customer will provide the trench, conductors, install conduits, and backfill in accordance with the following company specifications.
  - a. **SERVICE TRENCH:** shall be uniform to the required thirty-six inch (36") conductor depth and shall be a minimum of twenty-four inches (24") wide. If joint trench construction is used with other systems (RG&E, Frontier and Time Warner Communications) the trench width shall be adequate to permit a minimum of twelve inches (12") separation from other utilities.
  - b. **BACKFILL OF TRENCH:** The first one foot (1') of backfill shall be a stone free bed of sand, six inches (6") below and a sand safety cover six inches (6") above the conductor. All sand for bedding and safety cover shall be approved by an FMC representative before placement. The remainder of the trench may be machine backfilled with excavated materials providing no stones, rocks, debris with any dimension over two (2") inches are included.
  - c. **CONDUCTOR:** 1/0 A.W.G. 15 KV Primary URD conductor, 19 strand EC grade aluminum conductor, conductor strand shielding, 175 mils cross linked polyethylene or EPR insulation, 30 mils conducting polyethylene layer, 16 #14 or 10 #12 solid coated copper wires uniformly spaced around the conductor. A conductor jacket is required. Intended for use on single-phase distribution system suitable for direct burial with an ampacity rating of 218 amps, as furnished in accordance with AEIC-5 specifications. Conductor must meet IPCEA and NEMA standards. A conductor cut sheet must be delivered to Fairport Electric for approval before conductor is procured or installed into conduit or direct buried.
  - d. **CONDUIT:** If conduit is used, it must be UL approved schedule 40 PVC for all sections under ground and UL approved schedule 80 PVC for all sections under any paved surface. Galvanized rigid steel conduit can be used in place of PVC conduit. Conduit must be two and one half inch (2.5") (single phase) and four inch (4") (three phase) minimum pipe size. Conduit shall be installed the continuous length of the service and must be inspected prior to backfill.
  - e. **TRENCH INSPECTION:** When the trench is ready for backfill it will be necessary to call the FMC Service Center (223-9500) and request a trench inspection. A minimum of 24 hours notice must be given to schedule a trench inspection. If FMC receives an electrical inspection and find that the trench has already been backfilled, without a trench inspection by an FMC representative, the service will be rejected and will not be connected until it has been re-trenched and inspected in the manner stated above.

**UNDERGROUND SERVICE LATERALS FROM OVERHEAD DISTRIBUTION:** Customer shall install a ten-foot (10') length of galvanized steel conduit at the pole and sufficient cable to extend 40 feet from the top of the galvanized riser conduit to allow connection to the FMC primary conductors. The FMC will provide and install, the protective covering, necessary cable supports and will connect the cable to the primary system. Steel conduit shall be grounded per National Electric Code and shall utilize a clamp type ground connection.

**METER SOCKETS:** Customer will furnish and shall install all meter mounting equipment such as meter sockets and current/potential transformer enclosures for three phase installations. Meter heights from the center of the box to final grade shall be a minimum of 42" and a maximum of 60". Current transformers and potential transformers if needed are furnished by the FMC, but installed by the customer.

**TRANSFORMER VAULT:** Customer shall furnish and install a transformer vault on bed or compacted material of bank run gravel or equivalent in a location approved by FMC.

Single Phase Service:	FIBERGLASS VAULT
Three Phase Service, 500 KVA transformer or smaller:	CONCRETE VAULT & PAD
Three Phase Service, Transformer larger than 500 KVA:	CONCRETE VAULT & PAD

Customer shall furnish a minimum of two (2) ground rods at pad location placed inside vault.

**CONNECTIONS:**

1. Customer to supply and make all secondary connections in the transformer utilizing bronze nuts and bolts.
2. FMC to provide high voltage connections at the pole and transformer.



1/2/96

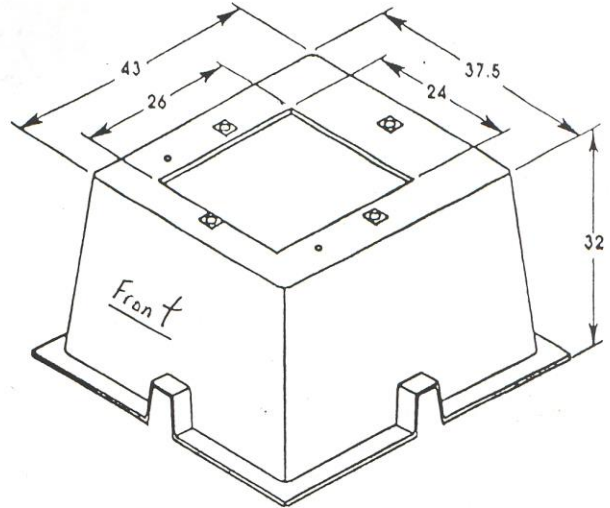
FAIRPORT MUNICIPAL COMMISSION  
SPECIFICATIONS FOR TRANSFORMER VAULTS

1) FOR ALL SINGLE PHASE PAD MOUNTED TRANSFORMERS:

FMC STOCK NUMBER: PAD 5

MANUFACTURERS NUMBER:  
FIBERGLASS FABRICATORS 374332SOSHP  
ELECTROMOLD INC. EBPT-3743-32A

ALL UNITS SHALL HAVE FOUR OPENINGS FOR  
CONDUIT, ONE ON EACH SIDE CENTERED.  
ALL UNITS SHALL HAVE FOUR 3/8" X 16  
THREADED INSERTS FOR ANCHOR POINTS.

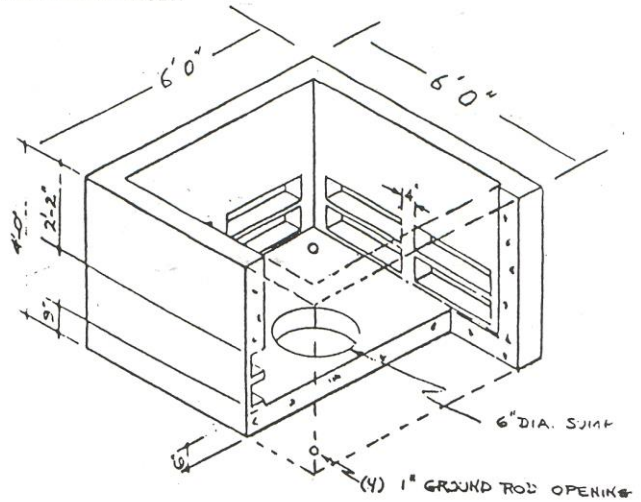


2) FOR ALL THREE PHASE PAD MOUNTED TRANSFORMERS SHALL USE A CONCRETE VAULT.

- 4000PSI CONCRETE AT 28 DAYS
- USE WITH FLAT PADS LARGER THAN 6' X 6'
- KNOCKOUTS 7" X 2', 4 PER SIDE, 4 SIDES
- TO BE SUPPLIED WITH 4 LIFTING HOOKS

FMC STOCK NUMBER: PAD 7

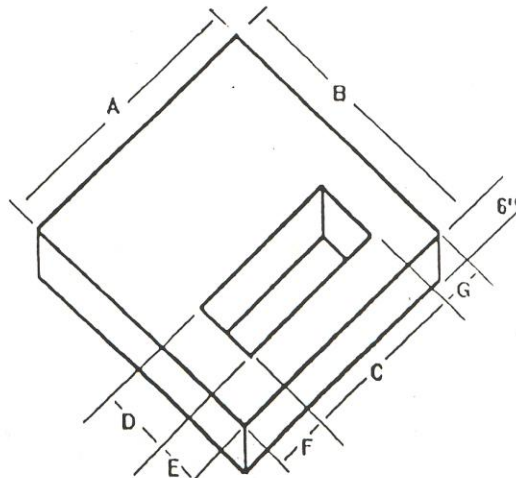
MANUFACTURERS NUMBER: LAKELANDS CONCRETE # FMC-U20



3) FOR ALL THREE PHASE PAD MOUNTED TRANSFORMERS SHALL USE A PAD ATOP A VAULT OF THE FOLLOWING DIMENSIONS.

KVA	A	B	C	D	E	F	G	WEIGHT	FMC#	LAKELANDS #
75-500 KVA	78"	72"	48"	15"	10"	15"	15"	2700	PAD 3	FMC - P33
> 500 KVA	89"	75"	50"	17"	10"	19.5"	19.5"	3100	N/A	FMC - P34

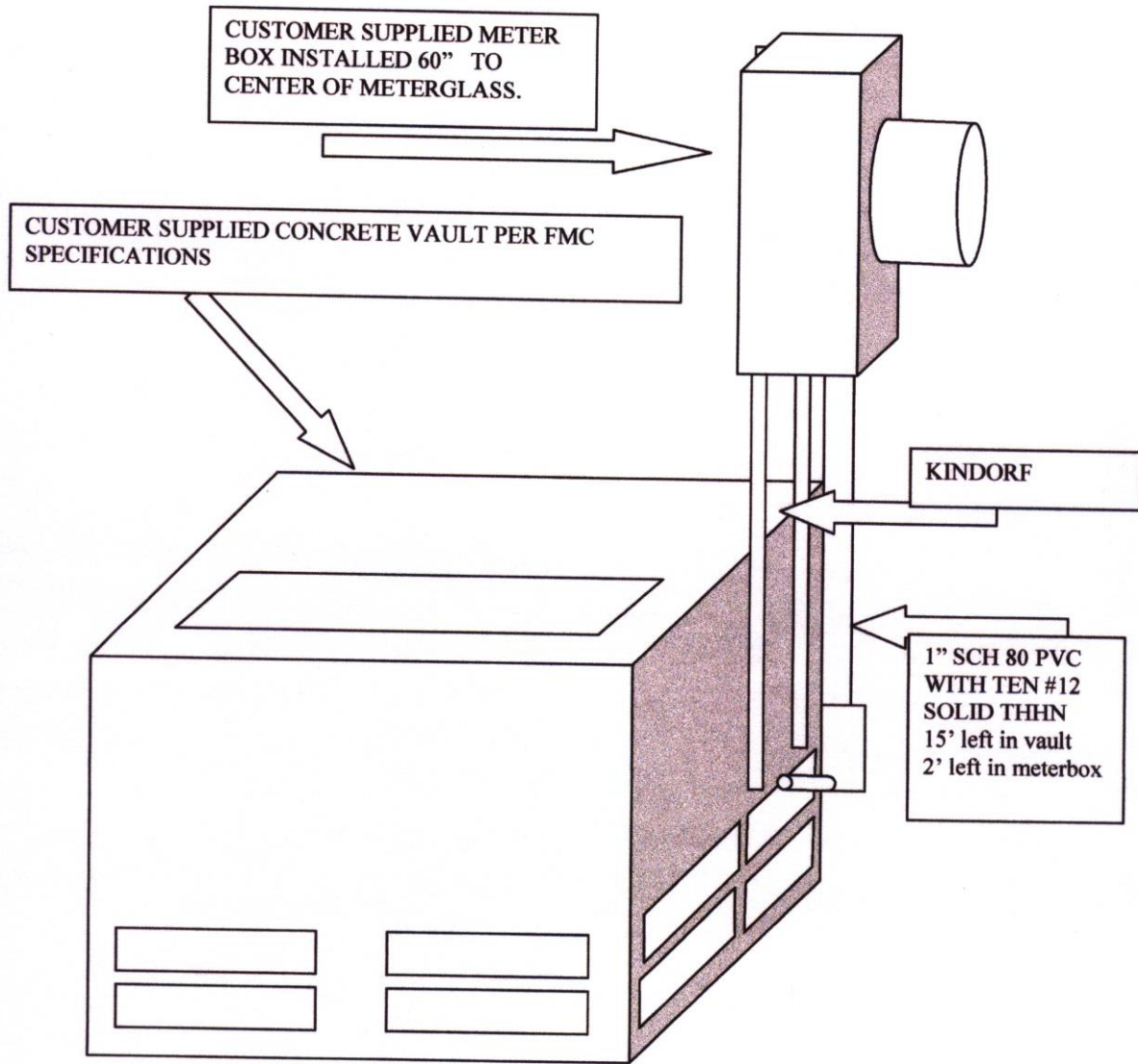
- REINFORCED WITH GRADE 60 - #4 RODS ON 6" CENTERS
- CHAMFER STRIP 3/4" ALL TOP EDGES INCLUDING OPENING
- TOP TO BE PARALLEL WITH BOTTOM
- TOP AND BOTTOM TO BE SMOOTH FINISH
- 4000 PSI CONCRETE AT 28 DAYS



# FAIRPORT MUNICIPAL COMMISSION PRIMARY METERING: METER LOCATION AT CONCRETE VAULT

07/21/04

Page 1 of 1



UG - 10

12/19/2007

Page 10 of 12

10/6/2021

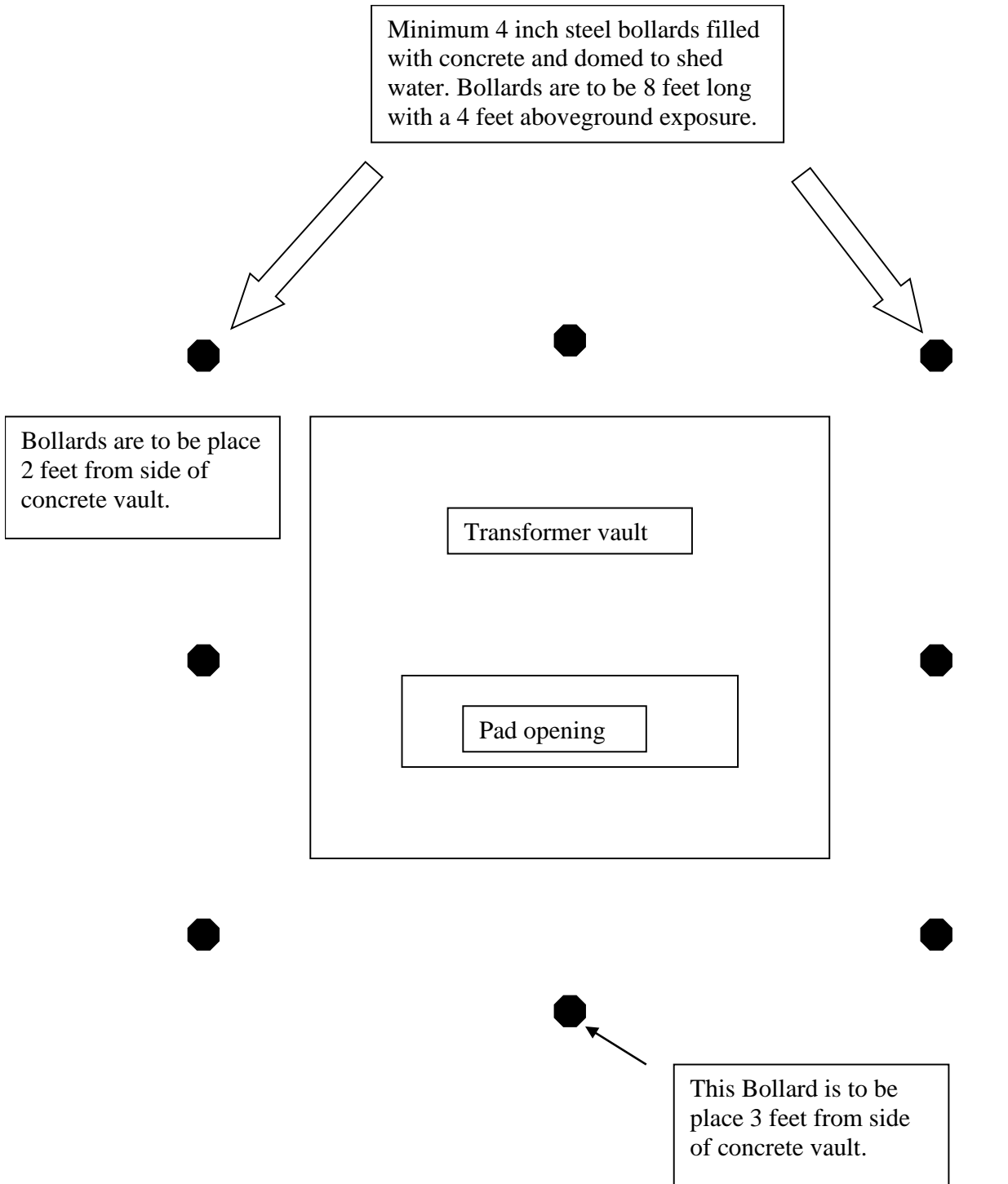
Page 10 of 12

# FAIRPORT MUNICIPAL COMMISSION

## Transformer Protection Bollards For Three Phase Transformers

05/23/01

Page 1 of 1



10/6/2021

Page 11 of 12

# FAIRPORT MUNICIPAL COMMISSION

## Transformer Protection Bollards For Single Phase Transformers

05/04/20

Page 1 of 1

