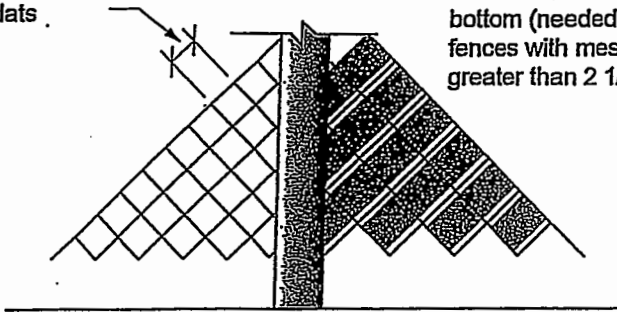


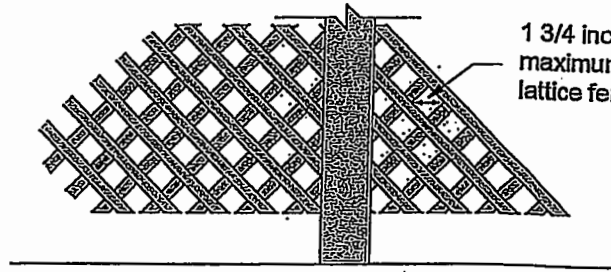
International Residential Code - Appendix G Barrier Requirements

2 1/4 inches
Maximum Mesh
Size without
Slats

1 3/4 inch maximum
opening with slats
secured at the top or
bottom (needed in
fences with mesh size
greater than 2 1/4 inch.



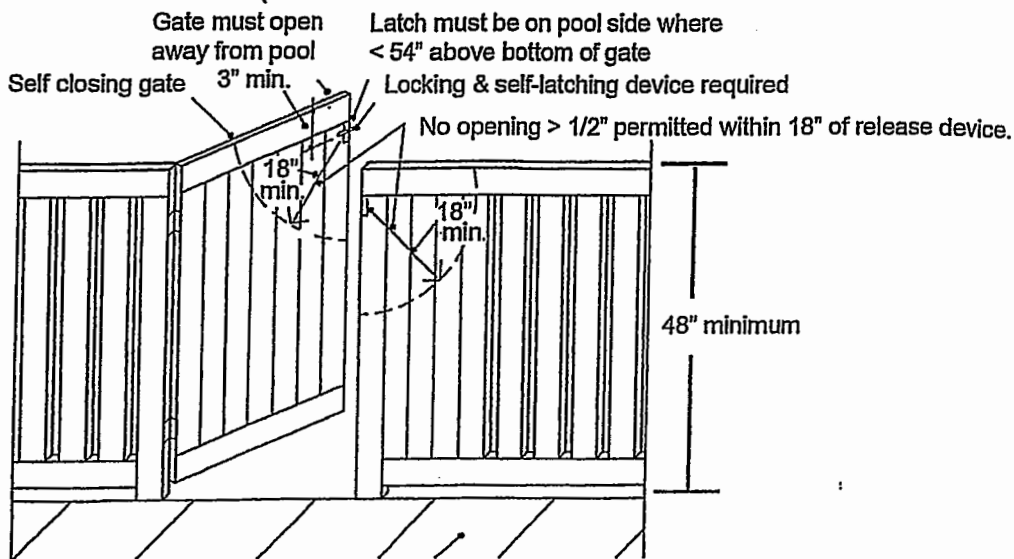
1 3/4 inch
maximum -
lattice fence



AG105.2 Outdoor Swimming Pool. Items #6 & #7

* Maximum mesh size for chain link fences shall be 2 1/4 inches square unless the fence has slats which are fastened at the top or bottom which reduce the openings to not more than 1 3/4 inches

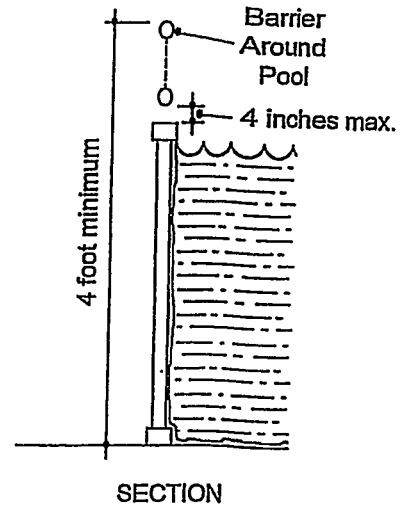
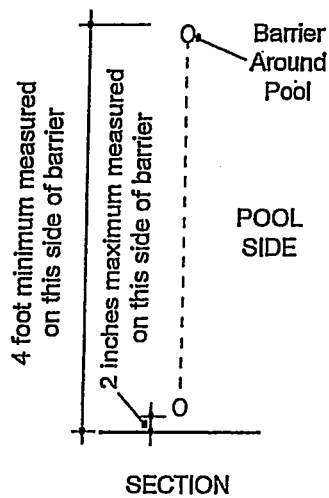
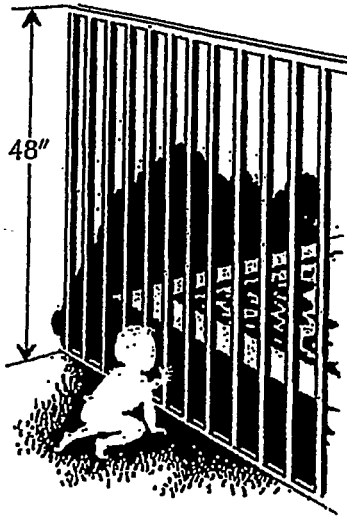
* Where the barrier is composed of diagonal members, such as lattice fence, the maximum opening formed by the diagonal members shall not be more than 1 3/4 inches.



AG105.2 Outdoor Swimming Pool. Item #8.1 & 8.2

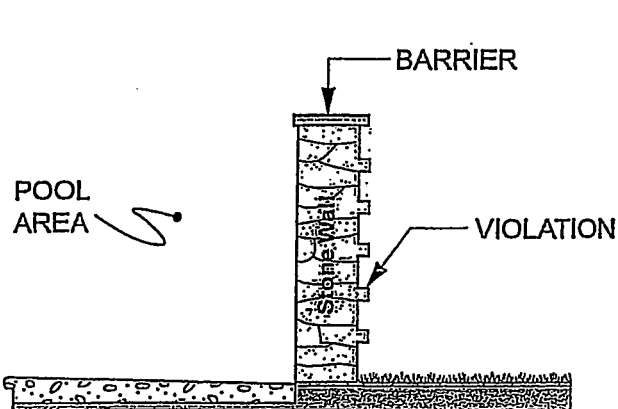
* Access gates shall comply with all of the previous barrier requirements and shall be equipped to accommodate a locking device. Gates are to open outward away from the pool and shall be self-closing and have a self-latching device. Release mechanism shall be located 54" from the bottom of the gate or it shall conform to the above noted diagram.

International Residential Code - Appendix G Barrier Requirements

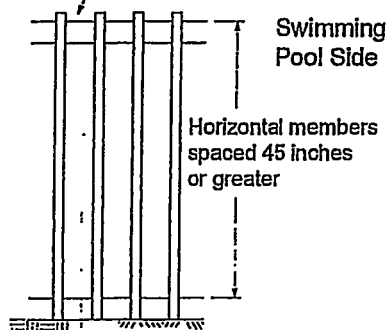


AG105.2 Outdoor Swimming Pool. Items #1 & #2

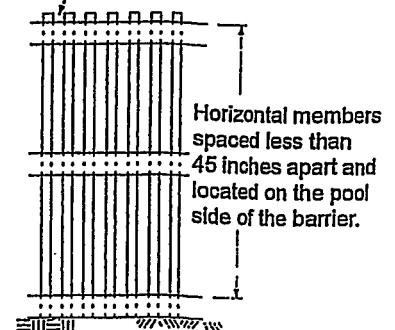
- * The top of the barrier shall be at least 48 inches above grade measured on the side of the barrier which faces away from the pool.
- * Vertical clearance between grade and bottom of barrier is 2" maximum.
- * Vertical clearance between elevated pool structure and bottom of barrier is 4" maximum.
- * Openings in barrier shall not allow the passage of a 4" sphere.



4 inches maximum spacing between vertical members



1 3/4 inches maximum spacing between vertical members



AG105.2 Outdoor Swimming Pool. Items #3, #4 & #5

- * Solid barriers without openings shall not contain protrusions except normal tooled joints.
- * Horizontal & vertical barrier members and opening requirements.

DOOR ALARM

MADE IN THE USA

poolguard®

PBM INDUSTRIES, INC.

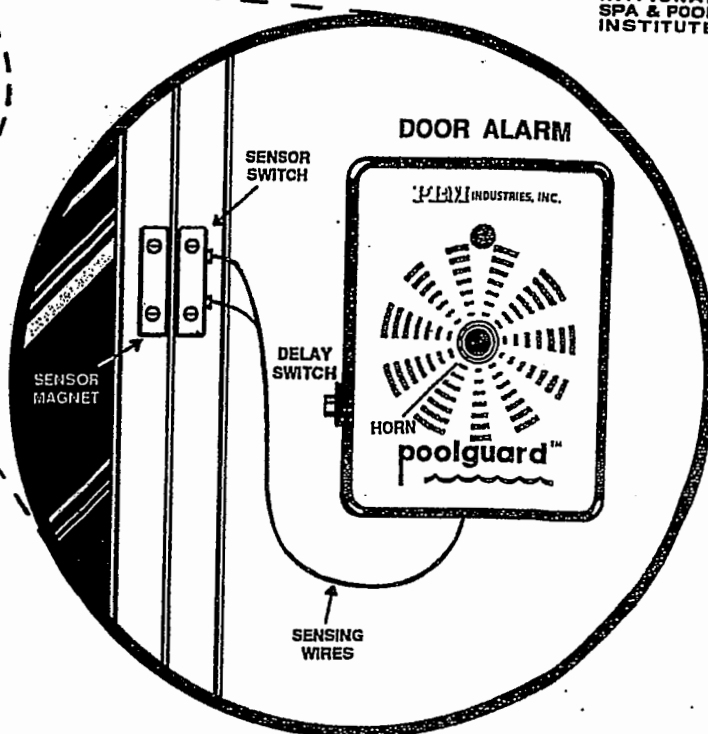
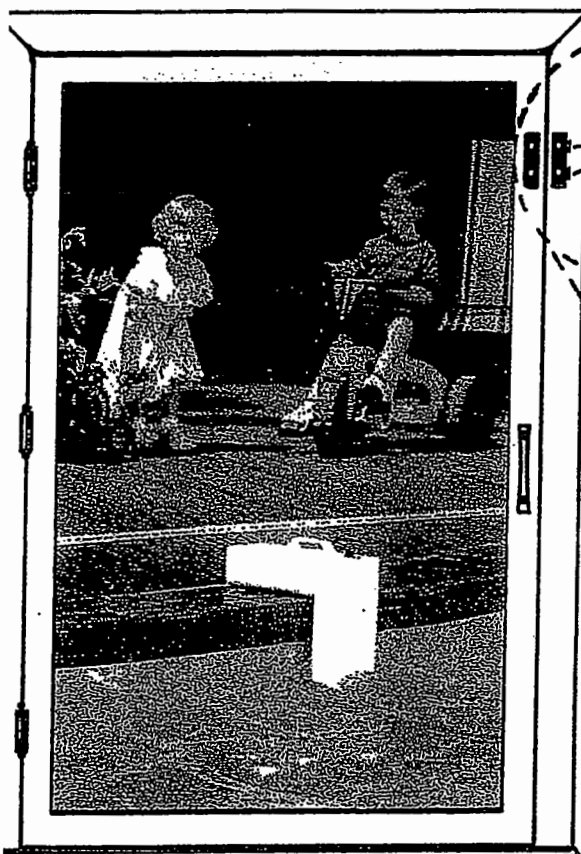
MODEL DAPT



MEMBER



NATIONAL SPA & POOL INSTITUTE



POOLGUARD DOOR ALARM

Poolguard Door Alarm mounts next to any door which gives easy access to your swimming pool. Any door which allows young children easy and quick access to a pool area is dangerous and should have a door alarm. The Poolguard Door Alarm comes with two magnetic switches, hookup wire, and operates on one 9-volt battery. The door alarm has a delay switch which allows an adult to pass through the door without the alarm sounding. When a child opens the door, the alarm will sound in seven seconds and continue to sound; the alarm will sound in seven seconds even if the child should go out the door and close the door. If for any reason the door is accidentally open, the alarm will sound. For further information, contact your local Poolguard distributor or call PBM Industries toll free. When you think of pool safety/security, think of Poolguard.

CALL TOLL FREE: 1-800-242-7163

- UL Approved
- Important Safety Feature
- Complies with Building Codes
- Simple to Operate
- Automatic Reset
- Battery Powered
- Easy to Install
- Affordable Price
- Pass Through Feature for Adults
- Low Battery Indicator

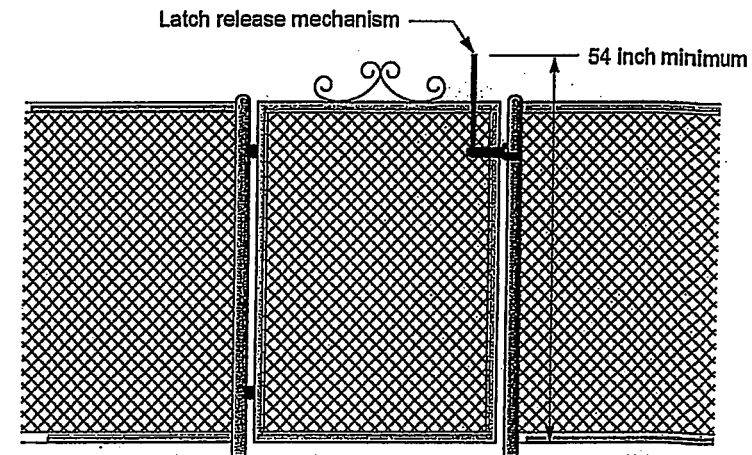
P.O. Box 658 • North Vernon, IN 47265 • (812) 346-2648

INCREASES POOL SAFETY

International Residential Code - Appendix G Barrier Requirements

AG 105.2 Outdoor Swimming Pool Item # 8.1 & 8.2

48" access gate with approved release mechanism located 54" above the bottom of the gate.



Glazing in walls and fences enclosing pool to be tempered safety glazing if less than 60 inches above walking surface and within 60 inches horizontally of the water's edge.

Doors providing direct access to pool shall be equipped with UL 2017 door alarms mounted 54" above the threshold of the door

OR

shall be self-closing with self latching devices located not less than 54" above the door threshold.

Pedestrian access gates shall swing away from the pool and be self-closing and self-latching

Barriers shall not have protrusions or steps

Doors into the pool area are to be equipped with UL 2017 door alarms or they shall be self-closing with self-latching devices located at least 54" above door threshold.

Gates other than pedestrian access gates shall have be self-closing and have a self-latching device. Release mechanism requirements same as pedestrian gates.

Minimum 48 inch high pool barrier

Overhead conductors between 0-750 Volts shall be located no less than 22.5 feet above pools and the area extending 10 feet horizontally from the inside of the walls of the pool. No less than 14.5 feet is to be maintained between overhead conductors and diving platforms.

For communication cable clearances, contact the utility provider (i.e Verizon, Comcast, etc..)

AG 105.2 Outdoor Swimming Pool. Item #9.1, 9.2, 9.3

Use the safest...

MAGNA-LATCH®
MAGNETIC SAFETY GATE LATCH



- Magnetically triggered latching
- Key lockable safety (Top Pull and Vertical Pull)
- Adjusts horizontally *and* vertically
- Patented "Lost Motion" Technology
- Quick and easy to install (with convenient self-drilling screws)



Endorsed by
Laurie Lawrence,
former Australian
Olympic Swimming
Coach and internationally
recognized child water
safety advocate

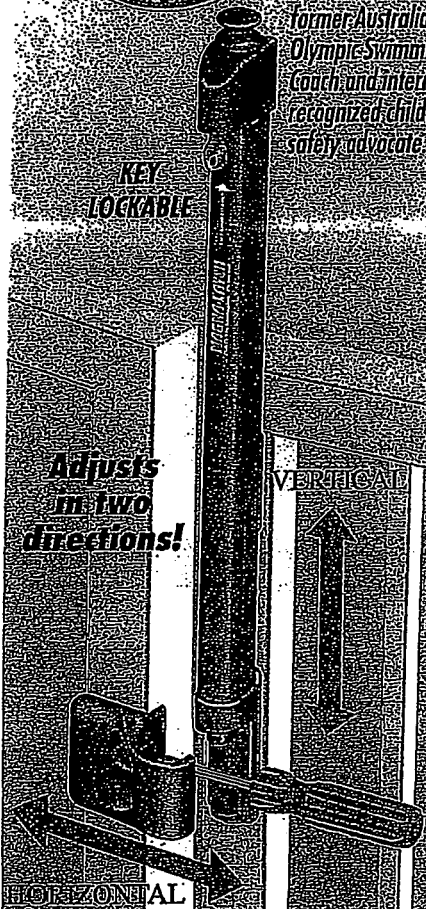


Features

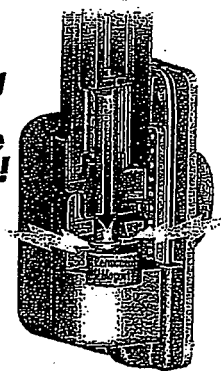
- Patented magnetic self-latching
- Meets international barrier/safety codes
- Quality molded polymers & stainless steel
- Key lockable (Top Pull & Vertical Pull)
- Quality Assurance ISO 9001 manufacturer
- Engineered for ease of installation
- Latches in the "locked" position
- Won't disengage from shaking & pulling
- Unprecedented adjustability
- Tested to 400,000 cycles

Benefits

- No mechanical jamming during closure
- Unprecedented reliability & safety
- No rusting, binding or staining
- Added safety and peace-of-mind
- Limited Lifetime Warranty
- Reduced installation time (costs)
- Exceptional safety & reliability
- Can't be forced open
- Easy to install and maintain
- Proven to last the test of time



Magnetic triggering means no resistance to closure!



Quality System
Quality Endorsed Company
ISO 9001



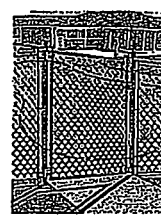
METAL GATE
"Top Pull" model



WOOD GATE
"Top Pull" model



VINYL GATE
"Vertical Pull" model



CHAINLINK GATE
"Top Pull" model

MAGNA•LATCH® Safety Gate Latches are a revolutionary breakthrough in latching security for gates around swimming pools, homes and child safety areas.

Powered by super-strong "Permanent Magnets," which never lose power, these quality latches incur no mechanical interference to closure and so offer unprecedented reliability, safety and child resistance.

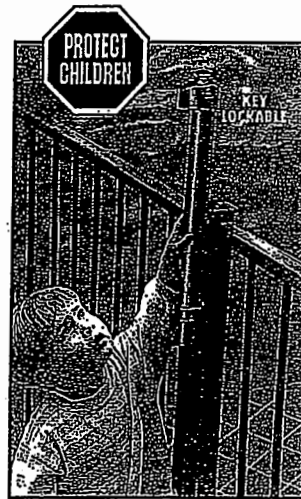
The popular "Top Pull" model is designed especially for swimming pool gates but can be installed to any gate where child safety is important. The shorter "Vertical Pull" model is recommended for gates at least 5' (1.5m) tall. This model is also known as the "Pet Latch," as it can provide security for pet safety gates.

All latches adapt readily to most new or existing gates and any gate material. Two models are key-lockable to provide a degree of added safety. The "Series 2" latches can be adjusted *vertically and horizontally* to ensure safe, reliable latching at any time during or after installation.

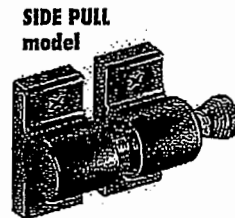
Vertical adjustment is quick and easy because the latch body slides up and down dovetail-style tracks for easier, sturdier installation.

Horizontal adjustment is achieved by adjusting a screw within the "Striker Body" so that the striker can be adjusted across gaps ranging from $\frac{3}{8}$ "- $1\frac{7}{16}$ " (9-37mm).

The "Series 2" models provide extra impact resistance and durability on larger gates and also against heavy pedestrian traffic.



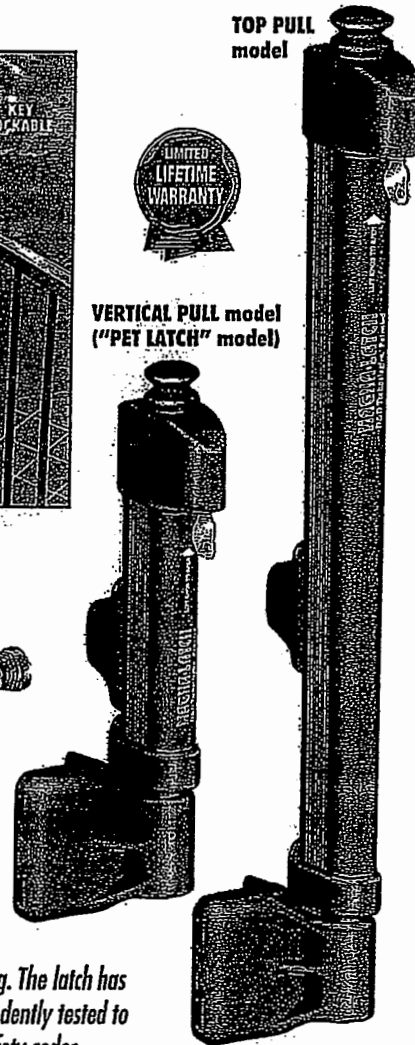
VERTICAL PULL model
("PET LATCH" model)



SIDE PULL model

MAGNA•LATCH has been tested to more than 400,000 cycles. Most swimming pool barrier codes require gates to be self-closing and self-latching. The latch has been designed and independently tested to meet strict international safety codes.

TOP PULL model



MAGNA•LATCH®



Pet Security Gate Latch

MAGNA•LATCH is also suitable for house and garden gates where pet security and pet access control are important.

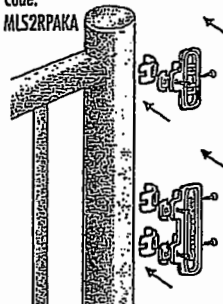


Prevents pets from escaping and keeps them safe from unwanted intruders

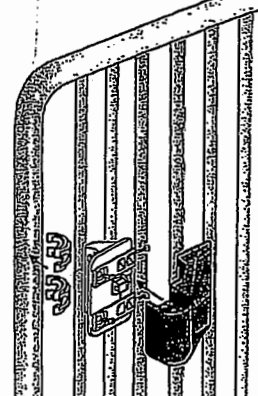
ROUND POST ADAPTOR KIT

The "Round Post Adaptor Kit" is an optional kit for mounting Magna•Latch "Top Pull" or "Vertical Pull" latches to gates and fences with round posts.

Code:
MLS2RPAKA

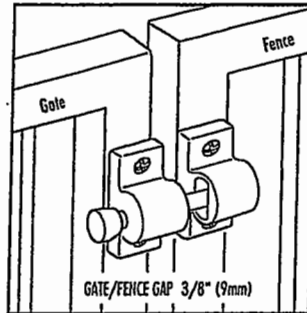
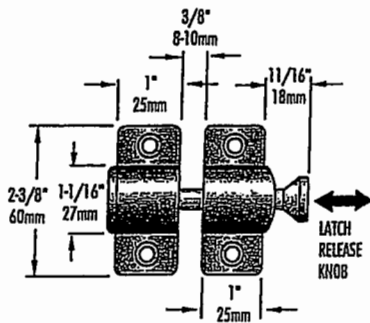


The kit includes adaptor brackets and shims to fit most common chainlink and railing post diameters.



Post diameters: $1\frac{7}{8}$ "-2" (48-51mm), $2\frac{3}{8}$ " (60mm), $2\frac{7}{8}$ " (73mm)
Gate diameters: $1\frac{3}{8}$ " (35mm), $1\frac{5}{8}$ " (41mm), $1\frac{7}{8}$ "-2" (48-51mm)

MAGNA•LATCH "Side Pull" model

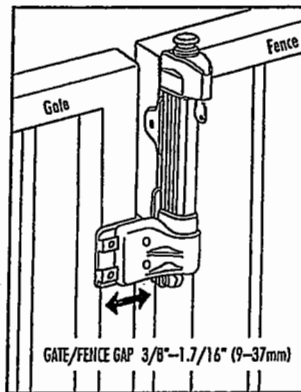
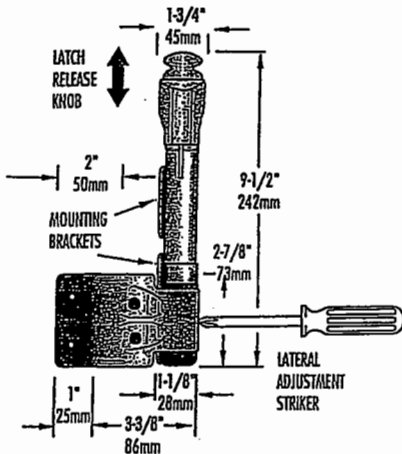


| Code | Applications | Color |
|--------|------------------------------|-------------|
| MLSPBX | General Purpose / Pool Gates | Black/White |

Description: The ideal general-purpose, magnetic latch for gates around the house and garden. Suitable for a wide variety of uses where a non-key lockable latch is needed. Reliable, effective and unobtrusive.

When used on picket-style swimming pool gates, a compliant acrylic shield must be used to prevent latch access by toddlers. Consult local authorities for height measurement/requirements on swimming pool gates.

MAGNA•LATCH "Vertical Pull" model



| Code | Applications | Color |
|-----------|-------------------------------------|-------------|
| MLVPS2BGA | Swimming Pools / Child Safety Gates | Black/White |

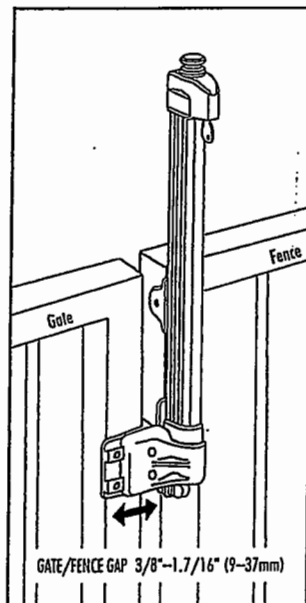
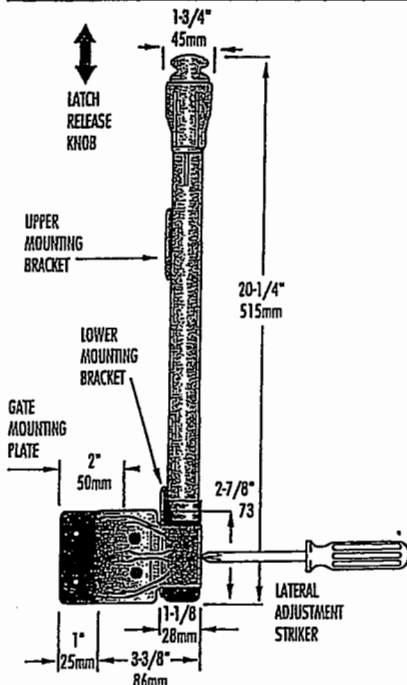
Description: A shorter version of the popular "Top Pull" model latch. Shares the same features and is ideal for safety gates around swimming pools and child safety areas. Also ideal as a pet gate latch for the backyard.

Highly child resistant, magnetic latching (no mechanical resistance to closure), key lockable for added security, fully adjustable two-part design that provides easy, accurate installation and long-term, reliable performance.

Fits most gates and all gate materials. Ideal for gate/fence heights of 60" (1500mm) or above.

Consult local authorities for height measurement/requirements on swimming pool gates.

MAGNA•LATCH "Top Pull" model



| Code | Applications | Color |
|-----------|-------------------------------------|-------------|
| MLTPS2BGA | Swimming Pools / Child Safety Gates | Black/White |

Description: The most popular Magna-Latch model. The ideal gate latch for safety gates around swimming pools and child safety areas such as childcare centers.

Highly child resistant, magnetic latching (no mechanical resistance to closure), key lockable for added security, fully adjustable two-part design that provides easy, accurate installation and long-term, reliable performance.

Fits most gates and all gate materials. Fits most gate/fence heights but is ideal for 48" (1200mm) gates/fences, as the latch can be installed so that the release knob is out of reach of small children.

Consult local authorities for height measurement/requirements on swimming pool gates.