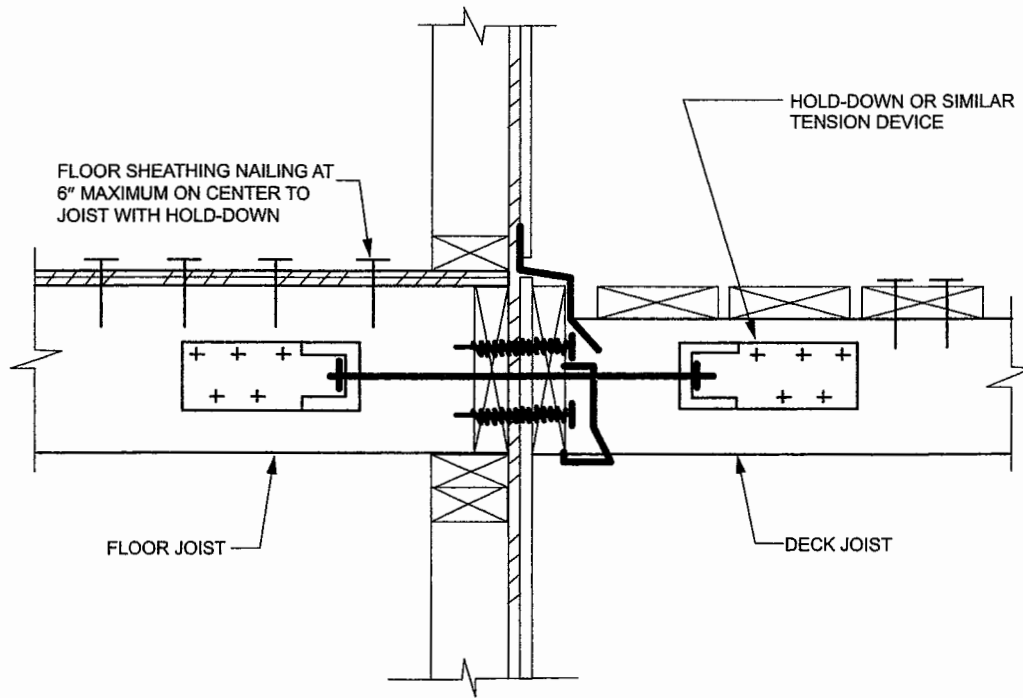


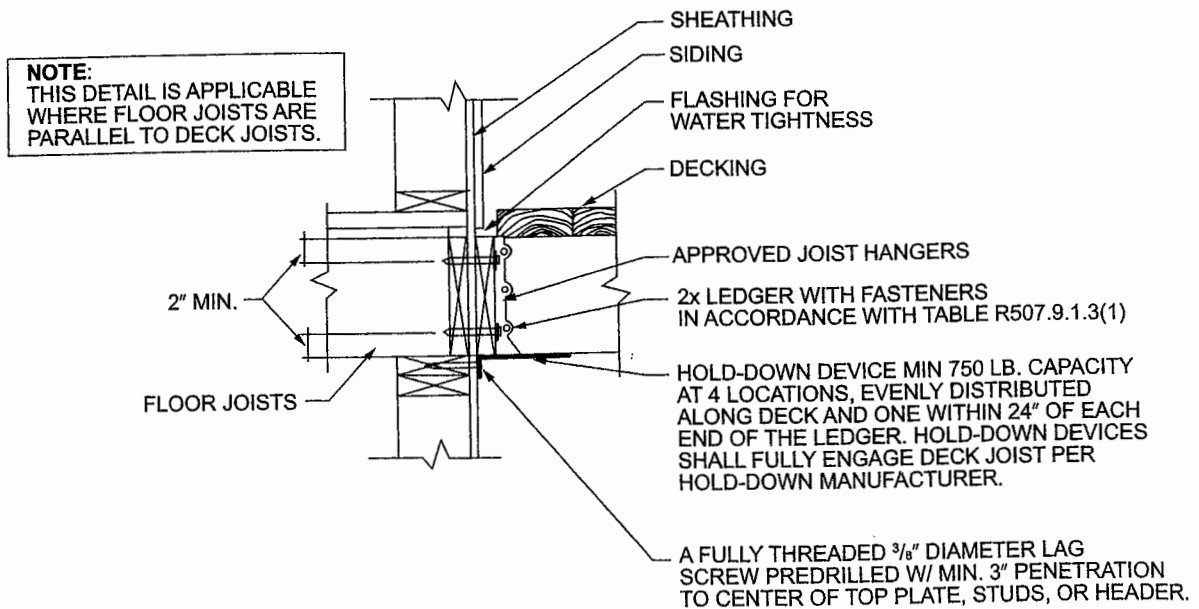
RESIDENTIAL DECK CONSTRUCTION NOTES
2018 IRC

- **Attachment to House.** Where supported by attachment to an exterior wall, decks shall be positively anchored to the primary structure and designed for both vertical and lateral loads. Such attachment shall not be accomplished by use of toenails or nails subject to withdrawal. (R507.8)
- **Deck Ledger.** Deck ledgers shall not be supported on stone or masonry veneer. (R507.9.1.1)
- **Bearing.** The ends of each beam shall have at least 1.5 inches of bearing on wood or metal and not less than 3 inches on concrete or masonry for the entire width of the beam. (R507.5.1)
- **Deck Lateral Load Connection.** Deck attachment for lateral loads shall be installed in one of the two methods shown in figures R507.9.2(1) or R507.9.2(2) – see the back of this form. (R507.9.2)
- **Deck Beams.** Beam piles shall be fastened with two rows of 10d nails, a minimum of 16 inches on center, along each edge. (R507.5)
- **Deck Posts to Deck Beams.** Deck beams shall be attached to deck posts by mechanical means in a manner capable of transferring vertical loads and resisting horizontal displacement. All bolts shall have washers under the head and bolt. (R507.5.2)
- **Deck Posts.** The maximum height for a 4x4 post is 8 feet (limited to 6 feet 9 inches if supporting a 3-ply beam); a 4x6 post is 8 feet; a 6x6 post is 14 feet. (R507.4)
- **Stairway Width.** Stairs shall not be less than 36 inches in clear width. (R311.7.1)
- **Treads and Risers.** The maximum riser height shall be 8 ¼ inches and the minimum tread depth shall be 9 inches. The greatest riser height and the greatest tread depth shall not exceed the smallest by more than 3/8 inches within the entire flight of stairs. (PA UCC)
- **Handrails.** Handrails shall be provided on at least one side of each stairway and be mounted 34 inches to 38 inches above the nosing of the treads. The ends of the handrails must be returned or terminate in newel posts or safety terminals. (R311.7.8)
- **Handgrip Size.** Handrails shall have a circular cross section with a diameter of between 1 ¼ inches to 2 inches. (R311.7.8.5)
- **Guard.** Decks where the walking surface is located more than 30 inches above finished grade shall have guards not less than 36 inches in height. Openings within the guards shall be such that a 4 inch sphere cannot pass through (4 3/8 inches where located on the sides of stair treads). (R312)
- **Safety Glazing.** Safety glazing in window glass is required when the existing house wall acts as a barrier to adjacent stairs and landings. Application of safety glazing film to glass that was not originally treated is acceptable to meet this requirement. (The use of safety glazing film applies only to existing windows). (R308.4)



For SI: 1 inch = 25.4 mm.

FIGURE R507.9.2(1)
DECK ATTACHMENT FOR LATERAL LOADS



For SI: 1 inch = 25.4 mm, 1 foot = 304.8 mm.

FIGURE R507.9.2(2)
DECK ATTACHMENT FOR LATERAL LOADS