

## SMALL PROJECT STORMWATER APPLICATION

Property Owner's Name: \_\_\_\_\_ Phone Number: \_\_\_\_\_

Address of Property: \_\_\_\_\_ Email Address: \_\_\_\_\_

### SMALL PROJECT CALCULATIONS:

**Step 1:** Determine the Total Project Area (ft<sup>2</sup>) including Roof, Driveway, Walk, Patio and or other Impervious Area to be managed (Required Volume).

*Calculate new impervious area by completing this table.*

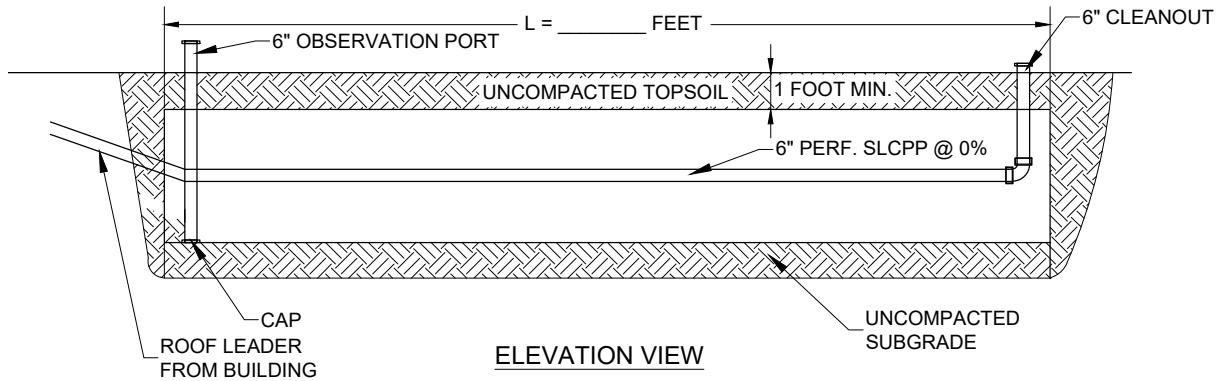
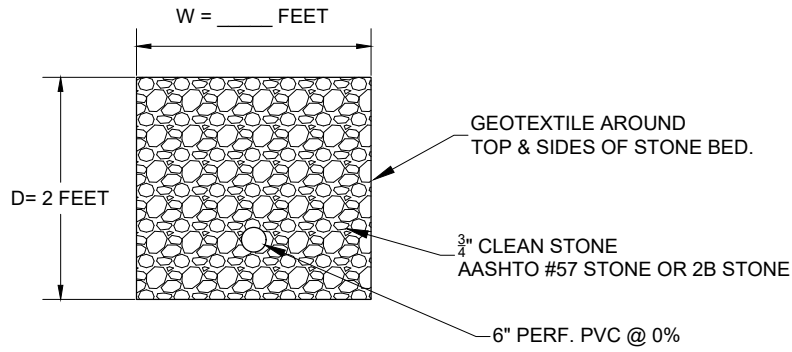
Surface	Length (ft)	x	Width (ft)	=	Impervious Area (ft <sup>2</sup> )
Building/Structures		x		=	
Driveway		x		=	
Parking Areas		x		=	
Patios/Walkways		x		=	
Other		x		=	
Total Proposed Impervious Surface Area (Sum of all impervious area)					

**Step 2:** Determine Size of Infiltration Bed. Select required area from the table below. If the number above is between two values round up to the higher value.

Sizing Chart										
Total Area to be Managed	250	500	750	1000	1250	1500	1750	2000	2250	2500
Trench Area (ft <sup>2</sup> )	30	55	80	105	130	160	185	210	235	260

Sizing Chart										
Total Area to be Managed	2750	3000	3250	3500	3750	4000	4250	4500	4750	5000
Trench Area (ft <sup>2</sup> )	290	315	340	365	395	420	445	470	495	525

## SMALL PROJECT STORMWATER APPLICATION



## INFILTRATION TRENCH

NOT TO SCALE

**Notes**

1. The above table is only applicable to projects with disturbed areas of less than one (1) acre. Any projects that propose more than one (1) acre of disturbed area are subject to E&S and NPDES Permit requirements and will require a Formal Stormwater Management Plan.

**Acknowledgement** - I declare that I am the property owner, or representative of the owner, and that the information provided is accurate to the best of my knowledge. I understand that stormwater may not adversely affect adjacent properties or be directed onto another property without written permission. I also understand that false information may result in a stop work order or revocation of any associated permits. Township representatives are also granted reasonable access to the property for review and / or inspection of this project as necessary.

Signature: \_\_\_\_\_

Date: \_\_\_\_\_

FOR OFFICIAL USE BELOW THIS LINE