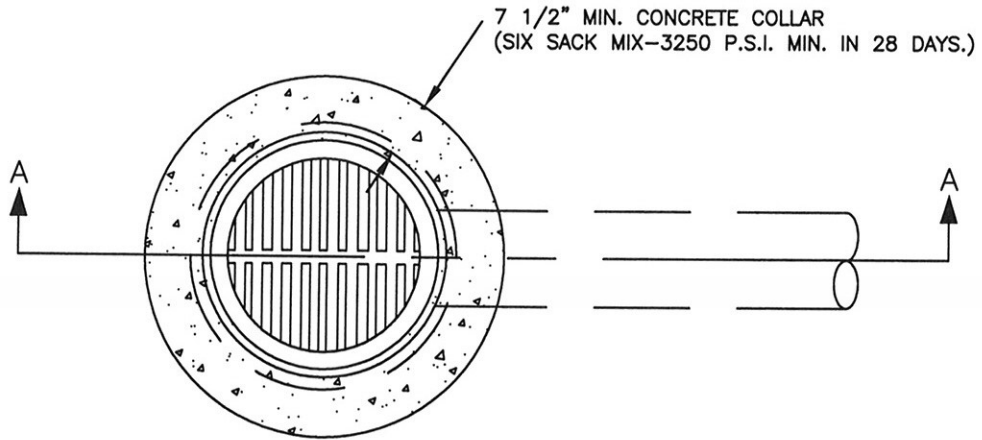


NOTE:

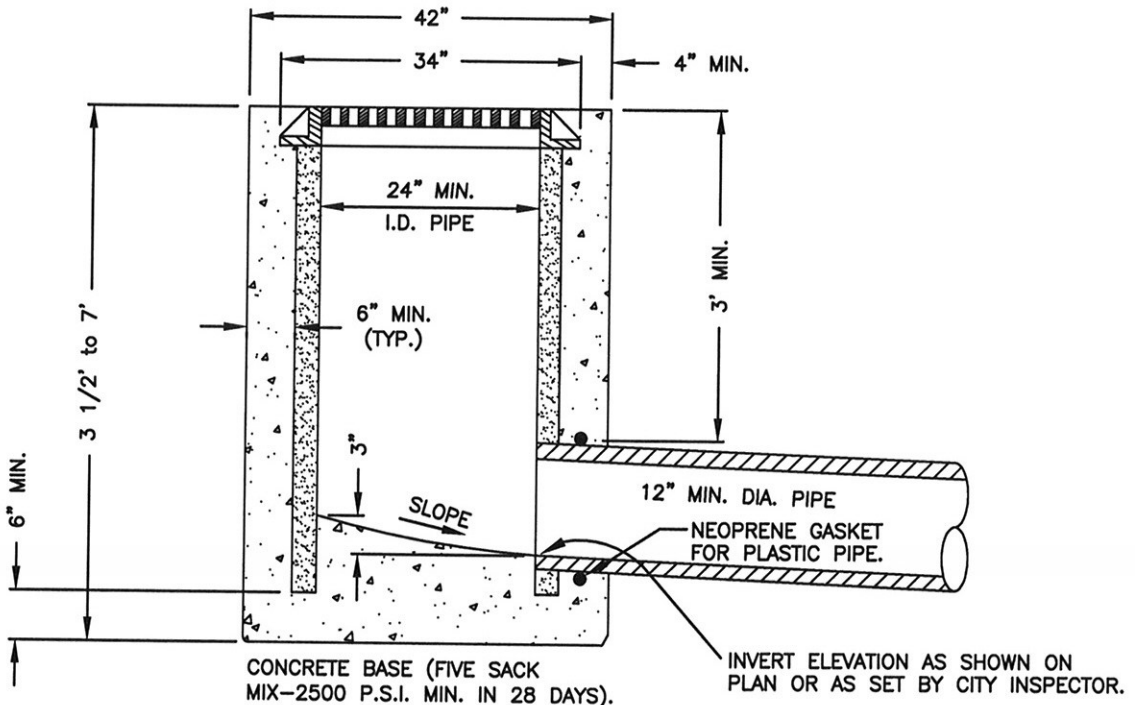
THIS CATCH BASIN MAY BE USED ONLY WITH SPECIFIC APPROVAL OF THE CITY ENGINEER.



C.I. FRAME & GRATE

PLAN
NOT TO SCALE

CALIFORNIA CONCRETE PIPE, STOCKTON
No. A-108 GRATE & A-515 FRAME OR
APPROVED EQUAL.



CONCRETE BASE (FIVE SACK MIX-2500 P.S.I. MIN. IN 28 DAYS).

INVERT ELEVATION AS SHOWN ON PLAN OR AS SET BY CITY INSPECTOR.

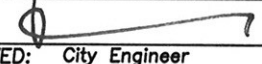
Q MAX. = 2.8 C.F.S.

SECTION A - A
NOT TO SCALE

CITY of CORCORAN • Department of Public Works

Standard Drawing for:

**STANDARD FLAT GRATE
DRAINAGE BASIN**

APPROVED:  05/19/08
Date

Revised:

SD-4