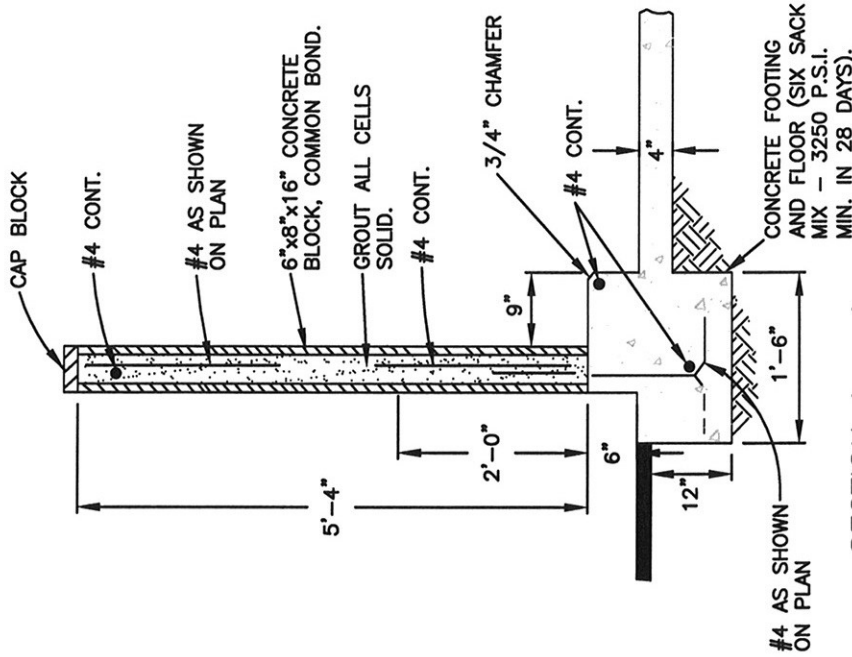


PLAN
NOT TO SCALE



SECTION A - A
(TYP.)
NOT TO SCALE

MIN. INSIDE ENCLOSURE DIMENSIONS

	1 YD.	2 YD.	3 YD.
A	10'	10'	10'
B	-	15'	20'
C	10'	10'	10'

NOTE:

1. PUBLIC WORKS RECOMMENDED ENCLOSURE.
2. CUT CORNER BLOCK ENDS AND CENTER WEB TO FORM A CONTINUOUS BOND BEAM.
3. GROUND TO BE SLOPED AWAY FROM WALL.
4. LOCATION OF BIN ENCLOSURE TO BE APPROVED BY THE CITY PUBLIC WORKS DIRECTOR.
5. A BUILDING PERMIT SHALL BE OBTAINED FROM THE CITY BUILDING DEPARTMENT.

CITY of CORCORAN • Department of Public Works

Standard Drawing for:

TRASH BIN - BLOCK ENCLOSURE

APPROVED: City Engineer

05/19/08
Date

Revised:

M-9